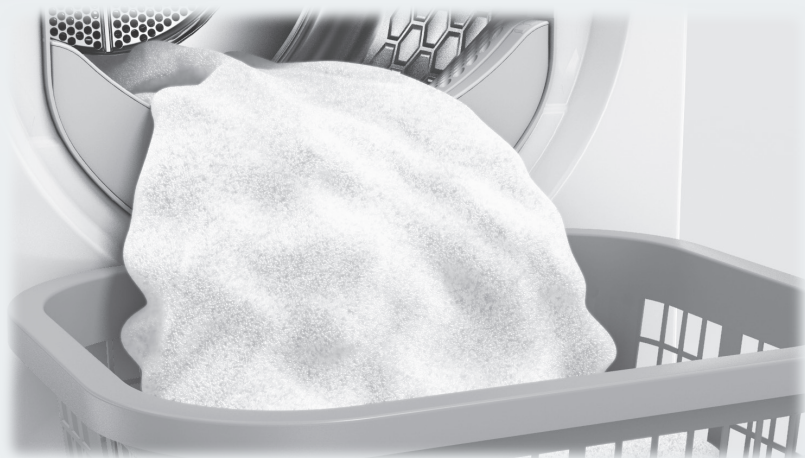




Operating Instructions

Heat-pump Dryer



It is **essential** to read these operating instructions before installing, starting up, and using the appliance. This prevents both personal injury and damage to the appliance.


Contents

Caring for the environment	6
IMPORTANT SAFETY INSTRUCTIONS	7
Operating the tumble dryer	15
Control panel	15
Operating the sensor buttons	16
Display	17
Examples on how to operate the appliance	17
Energy saving tips	18
Functioning of the heat-pump dryer	19
Initial set-up	20
1. Notes on correct laundry care	23
Points to note regarding washed laundry	23
Preparing the laundry before drying	23
Understanding the care label symbols	24
Drying	24
2. Selecting a program	25
3. Loading the tumble dryer	27
4. Selecting program settings	28
Program settings	28
Selecting drying levels during drying level programs	28
Time-controlled and other programs	28
Selecting an extra option	29
 EcoFeedback	29
 Delay start/SmartStart	29
5. Starting a program	31
6. Program end – removing the laundry	32
Program end	32
Removing the laundry	32
Program chart	33

Extra options	39
Gentle	39
Freshen-up	39
Anti-Crease.....	39
Buzzer.....	39
Selectable extra options.....	40
Changing the program sequence	41
Condensed water container	42
Emptying the condensed water container	42
Preparing the condensed water container for the Soft Steam program	43
Fragrance flacon	44
Inserting a fragrance capsule	44
Replacing the fragrance capsule.....	47
Cleaning and care	49
Lint filters.....	49
Removing visible lint.....	49
Cleaning the lint filters and air flow openings thoroughly	50
Cleaning the plinth filter.....	53
Removing the plinth filter	53
Cleaning	54
Cleaning the plinth filter flap.....	54
Checking the heat exchanger unit.....	55
Inserting the plinth filter.....	55
Cleaning the dryer	56
Frequently Asked Questions	57
The display indicates the following messages or faults	57
Unsatisfactory drying results.....	59
The drying cycle duration is very long.....	60
General problems with the tumble dryer	61
Lint filter in the condensed water container	63
Spray jet for the Soft Steam program	64
Bottom right grille.....	65
Technical Service	66
Contact in case of fault	66
Warranty	66
Optional accessories.....	66
IMPORTANT SAFETY INSTRUCTIONS	68

Contents

Installation	70
Front view	70
Rear view.....	71
Transporting the tumble dryer	71
Transporting the tumble dryer to its installation site	71
Installation	72
Leveling the tumble dryer.....	72
Ventilation.....	72
Before moving the tumble dryer again	72
Additional installation requirements	72
Product dimensions	75
Dimensions.....	75
Installation on a plinth	75
Washer-dryer stack	75
Electrical connection	76
Connection adapter for NEMA 14-30 socket.....	76
External draining of condensed water.....	77
Arranging the drain hose	77
Condensate drain	77
Changing the door hinging.....	78
Changing the hinging over	78
Refitting	83
Technical data	84

Settings	85
Accessing settings	85
Language 	86
Drying levels	86
Welcome tone	86
Keypad tone	86
Buzzer volume	86
Airway indicator	87
Conductivity	87
Code	88
Brightness	88
Display	88
Buttons active	88
Buttons inactive	88
Display switch-off	89
Memory	89
Anti-Crease	89
Program info	89
Miele@home	90
Remote control	91
SmartGrid	91

Caring for the environment

Disposal of packaging material

The packaging material protects the dryer from transport damage. The packaging materials used are selected from materials which are environmentally friendly for disposal and should be recycled.

Recycling the packaging reduces the use of raw materials in the manufacturing process and also the amount of waste. You can return the packaging to your Miele dealer.

Disposal of your old appliance

Electrical and electronic appliances contain valuable materials. They also contain certain substances, compounds and components which were essential for the proper functioning and safe use of the equipment. Handling these materials improperly by disposing of them in your household waste can be harmful to your health and the environment. Therefore, please do not dispose of your old appliance with regular household waste and follow local regulations on proper disposal.



Consult with local authorities, dealers or Miele in order to dispose of and recycle electrical and electronic appliances. Miele assumes no responsibility for deleting any personal data left on the appliance being disposed. Please ensure that your old appliance is kept away from children until removal. Observe safety requirements for appliances that may tip over or pose an entrapment hazard.

IMPORTANT SAFETY INSTRUCTIONS

WARNING

To reduce the risk of fire, electric shock, or injury to persons when using your appliance, follow basic precautions, including the following:

WARNING

This tumble dryer is intended for use in domestic households and similar working and residential environments.

- ▶ It is essential to read all instructions before using the appliance.
- ▶ Do not allow children to play on or in the appliance. Close supervision is necessary when the appliance is used near children. Always close the door after use to prevent child hazards.
- ▶ Before this appliance is removed for service or discarded, remove the door to the drying compartment.
- ▶ Do not install or use a dryer with visible damage.
- ▶ Do not reach into the dryer if the drum is moving.
- ▶ Do not install or store this appliance where it will be exposed to the weather.
- ▶ Do not tamper with the controls.
- ▶ Do not repair or replace any part of the appliance or attempt any servicing unless specifically recommended in these operating instructions. Repairs to electrical appliances should only be performed by qualified personnel. Incorrectly repaired machines may pose a considerable risk to the user.


IMPORTANT SAFETY INSTRUCTIONS

► Important information regarding use of fabric softener sheets:
We do not recommend use of fabric softener sheets. Use of fabric softener sheets can clog the surfaces of the lint filters, extending the drying time and increasing energy consumption. During subsequent cleaning, the plastic and surfaces of the lint filters can be damaged! The best results are obtained by using liquid fabric softener in the washing machine. Follow the manufacturer's instructions.
If you still wish to use fabric softener sheets, be sure to follow the cleaning instructions under “Cleaning and care” in the “Cleaning instructions when using fabric softener sheets” section.

Tip:

Using a fragrance flacon (optional accessory) will add a pleasant fragrance to your laundry.


When a fragrance flacon is used, the fragrance is acquired by the entire load of laundry. The disadvantage of fabric softener sheets is that under certain circumstances the fragrance is acquired by only a few items of laundry, especially when drying a full load.

 When you use a fragrance flacon, always follow the warnings in this section as well as those under “Fragrance flacon”.

IMPORTANT SAFETY INSTRUCTIONS

► To prevent the risk of fire, the following textiles must not be dried in this dryer:

- items which have not been washed.
- items, such as work-wear, exposed to grease, oils, or other deposits (such as lotions or cosmetics) in your dryer. If these items have not been thoroughly cleaned there is a danger that they may contribute to a chemical reaction that could cause the laundry to ignite when heated even after being removed from the dryer.
- items that have been previously cleaned, washed, soaked or spotted with gasoline, dry-cleaning solvents or other flammable or explosive substances. They may give off vapors that could ignite or explode.
- items treated with flammable cleaning agents or items containing acetone, alcohol, petrol, stain remover, wax or chemicals from buffing, etc.
- items which have been splashed with hair spray, nail polish remover, etc.

 When washing heavily soiled items ensure that sufficient detergent is used with a high temperature. If in doubt wash the item several times.

- items containing foam rubber or similarly textured rubber-like materials.
- items with padding or filling (e.g. pillows or jackets) which have been damaged. Loose filling could catch fire.

IMPORTANT SAFETY INSTRUCTIONS

▶ Allow the dryer to complete each stage of the program selected, including the cooling down phase. This will ensure that the items being removed are not too hot to handle.

▶ Clean the lint filter before or after each load.

▶ Keep the area around the air intake (toe kick) and adjacent surrounding areas free from lint, dust and dirt.

▶ The interior of the machine should be cleaned periodically by qualified personnel.

▶ GROUNDING INSTRUCTIONS

This appliance must be grounded. In the event of malfunction or breakdown, grounding will reduce the risk of electric shock by providing a path of least resistance for electric current. This appliance is equipped with a cord having an equipment grounding conductor and a grounding plug. The plug must be plugged into an appropriate outlet that is properly installed and grounded in accordance with all local codes and ordinances.

▶ **WARNING** – Improper connection of the equipment-grounding conductor can result in a risk of electric shock. Contact a qualified electrician if you are in doubt as to whether the appliance is properly grounded.

IMPORTANT SAFETY INSTRUCTIONS

- ▶ Do not modify the plug provided with the appliance: if it will not fit the outlet, have a proper outlet installed by a qualified electrician.
- ▶ Before installation, disconnect the tumble dryer from the electrical supply by shutting off the power main, unplugging the power cord or tripping the circuit breaker. Do not restore power until the installation is complete.
- ▶ Miele tumble dryers and Miele washing machines can be installed as a washer-dryer stack. A Miele washer-dryer connection kit is required as an optional accessory for this. Please ensure that the washer-dryer connection kit is suitable for the Miele tumble dryer and the Miele washing machine.
- ▶ If you order a plinth for this tumble dryer (available from Miele as an optional accessory), make sure it is the correct one.
- ▶ The maximum dry laundry weight is 17.6 lbs (8.0 kg). See the “Program chart” for the maximum recommended loads for individual programs.
- ▶ Do not place shoes inside the drum for drying. Placing shoes inside the drum for drying can cause the belt to tear, requiring a service call.
You must always use the dryer basket (optional accessory) when drying/airing shoes. Follow the additional operating instructions for the dryer basket.
- ▶ This tumble dryer is supplied with a special lamp to cope with particular conditions (e.g., temperature, moisture, chemical resistance, abrasion resistance, and vibration). This special lamp must only be used for the purpose for which it is intended. It is not suitable for room lighting. Replacement lamps may only be fitted by a Miele authorized person or by Miele Technical Service.

IMPORTANT SAFETY INSTRUCTIONS

► Heat-pump technology and refrigerant:

The heat pump in this tumble dryer uses a gaseous refrigerant which is condensed by the compressor. The refrigerant, which is brought to a higher temperature level and liquified by condensing, is led in a closed circuit through the heat exchanger unit where heat exchange with the circulating drying air takes place.

- The humming noises caused by the heat pump during the drying process are normal. This does not impair the efficient functioning of the dryer.
- The refrigerant is not flammable or explosive.
- This tumble dryer contains fluorinated greenhouse gases. Hermetically sealed.

Designation of refrigerant: R134a

Amount of refrigerant: 16.6 oz (0.47) kg

Global warming potential of refrigerant: 1430 kg CO₂ e

Global warming potential of appliance: 672 kg CO₂ e

IMPORTANT SAFETY INSTRUCTIONS

Using a fragrance flacon (optional accessory)

- ▶ Only use genuine Miele original fragrance flacons.
- ▶ Store the fragrance flacon in its original packaging.
- ▶ Caution: The fragrance can leak out of the flacon! Make sure that you always keep the flacon, or the lint filter with the flacon inserted in it, in a horizontal position when carrying and do not tip or place it down on any surface.
- ▶ Use an absorbent cloth to wipe up any fragrance which has leaked out of the flacon onto the floor, the dryer or any dryer components (e.g. the lint filter) immediately.
- ▶ If fragrance comes in contact with the body: Wash **skin** thoroughly with soap and water. Flush **eyes** with clean water for at least 15 minutes. If swallowed, rinse **mouth** thoroughly with clean water. Seek medical attention if the fragrance comes in contact with the eyes or is swallowed!
- ▶ Immediately change clothes that have come in contact with the fragrance. Thoroughly wash clothing or fabric using a large amount of water and detergent.
- ▶ There is the risk of fire or damage to the tumble dryer if the following instructions are not observed:
 - Never refill a flacon with fragrance or any other substance.
 - Never use a faulty fragrance flacon.
- ▶ Dispose of an empty fragrance flacon with the household waste and never use it for any other purpose.
- ▶ Please also observe the information supplied with the fragrance flacon.

IMPORTANT SAFETY INSTRUCTIONS

FCC Declaration of Conformity

▶ This appliance complies with Part 15 of the FCC regulations. This appliance has been tested and found to comply with the limits for a Class B digital device, pursuant to Part 15 of the FCC Rules and is subject to the following conditions: This appliance does not cause harmful interference. The appliances may be interconnected as desired.

FCC Radiation Exposure Statement

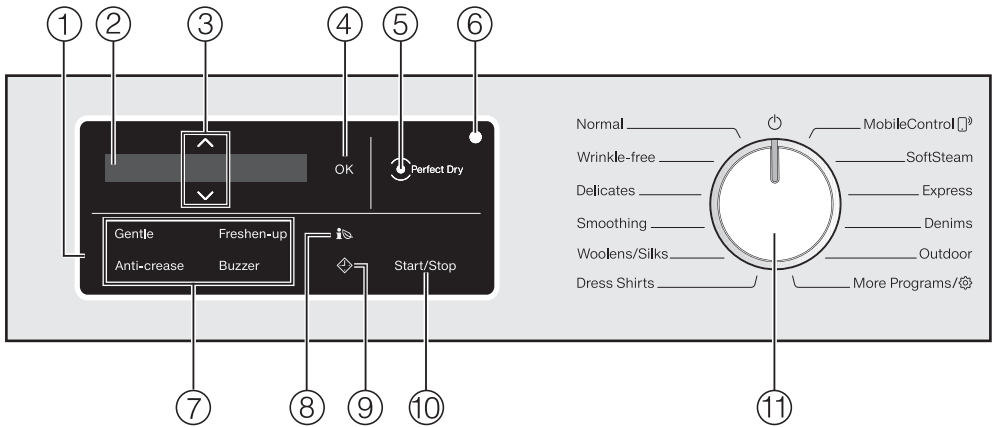
▶ This appliance complies with FCC RF radiation exposure limits set forth for an uncontrolled environment. These appliances should be installed and operated with a minimum distance of 8" (20 cm) between the radiator and body.

Industry Canada Statement

▶ This digital device does not exceed the Class B limits for radio noise emissions from digital devices specified in the radio regulations of the Canadian Radio-television and Telecommunications Commission. This appliance complies with the Class B specification of the Canadian ICES-003.

SAVE THESE INSTRUCTIONS

Control panel



① Control field

The control field consists of a display and various sensor buttons. The individual sensor buttons are explained in the following sections.

② Display

The following values are displayed and/or selected on the display:

1. The program names, the drying level, and the duration of the selected program
2. The individual values of the selection lists for the settings

③ Sensor buttons $\wedge \vee$

The values in the display can be changed with the $\wedge \vee$ sensor buttons. The \wedge sensor button increases the value or moves the selection list up; the \vee sensor button decreases the value or moves the selection list down.

④ OK sensor button

Confirm the selected values with the OK sensor button. After selecting the program, you can confirm your selection with the OK button or wait until OK goes out by itself.

⑤ Perfect Dry indicator \odot

With programs with a selectable drying level, the Perfect Dry system calculates the residual moisture present in the laundry to ensure a precise drying result. The *Perfect Dry* indicator. will flash after the program has started and go out when the program duration appears in the display. will light up again when the selected drying level is reached and remain on until the end of the program. will remain dark with the following programs: *Woolens/Silks*, *Time Dry*, *Cold Air*.

Operating the tumble dryer


⑥ Optical interface

This is used by Miele service technicians as a transmission point.


⑦ Sensor buttons for extra options

You can select extra options to augment the wash programs. If a drying program has been selected, the sensor buttons for the possible extra options light up dimly.

⑧ Sensor button

You can use the  sensor button to call up an energy consumption forecast for the selected drying program.


⑨ Sensor buttons

The sensor button  starts the delay start function. With the delay start function, you can delay the start of the program. The start of the program can be delayed from 15 minutes up to a maximum of 24 hours. This allows you to make use of night-time economy electricity rates, for example. Please see “Delay start” for more information.

⑩ Start/Stop sensor button

Touching the *Start/Stop* sensor button starts the selected program or cancels a program that has already been started. The sensor button flashes slowly as soon as it is possible for a program to be started and then lights up constantly after the program has started.

⑪ Program selector

For selecting programs and for switching off. The tumble dryer is switched on when you select a program, and switched off by turning the program selector to the  position.

Operating the sensor buttons

The sensor buttons react to fingertip contact. Selection is possible as long as the respective sensor button is illuminated.

If a sensor button is brightly lit, this means: currently selected

If a sensor button is dimly lit, this means: selection possible

Operating the tumble dryer

Display

The basic display shows the following for a drying level program:




- The selected drying level and the expected program duration
- The drying level reached after the start of the program and the remaining program duration

The basic display shows only the program duration for a time-controlled program:



Examples on how to operate the appliance

Scrolling through a list

The  scroll bar in the display indicates that a selection is available.



Touching the \vee sensor button scrolls down the list to the next option and touching the \wedge sensor button scrolls up the list to the next option. The *OK* sensor button is used to activate the option in the display.

Identifying the selected option



An option which has been activated will have a tick ✓ next to it.

Setting numerical values



The numerical value is highlighted in white. Touching the \vee sensor button decreases the value and touching the \wedge sensor button increases it. The *OK* sensor button is used to activate the value in the display.

Leaving a sub-menu

Select Back  to exit a sub-menu.

Energy saving tips

This dryer with heat-pump technology is designed for energy-saving drying cycles. However, you can save a little more energy with the following measures as the drying time is not extended unnecessarily.

- Make sure your laundry is spun at the maximum spin speed before drying. The higher the spin speed, the greater the savings that can be made in energy and time during drying, e.g., approx. 20% energy can be saved if spun at 1,600 rpm instead of 1,000 rpm.
- Load according to the optimum amount of laundry recommended for the program being used. This will mean that the energy consumption for the amount of laundry is at its most economical.
- Make sure that the room temperature is not too high. If there are other heat-producing appliances in the room in which the dryer is located, make sure the room is well ventilated and switch the other appliances off, if possible.
- Clean the lint filters in the door opening after every drying cycle.

Functioning of the heat-pump dryer

Two separate circuits ensure that the laundry is dried:

Dry air circuit

The drying air flows through a heat exchanger, the drum, and several filters. This is ensured by a blower in the dryer.

- The drying air flows through the heat exchanger in the longitudinal direction and is heated in the rear area.
- The drying air is then blown into the drum, where it absorbs the moisture of the laundry.
- The damp drying air is blown back through the heat exchanger via several filters in the fill area and the plinth area of the dryer.
- The drying air cools down in the front, cool area of the heat exchanger, and loses its moisture.
- The circuit begins again.

Refrigerant circuit


The refrigerant circuit regulates the heating and cooling of the drying air through the heat exchanger. The heat pump is the central component: This is a compressor that is connected to a pipeline system which is filled with refrigerant.

- The pipeline system surrounds the heat exchanger in several bends.
- The compressor draws in the gaseous refrigerant and compresses it, causing the temperature to rise.
- The hot refrigerant is passed through the pipeline system to the rear of the heat exchanger. The heat is released into the drying air, which flows through the heat exchanger.
- The refrigerant liquifies by dissipating the heat.
- The liquid refrigerant then flows through a capillary tube (a very thin tube) to the front area of the heat exchanger. This changes the pressure of the refrigerant.
- The refrigerant cools and reverts to its gaseous state. This in turn cools the front area of the heat exchanger and dehumidifies the drying air.
- The circuit begins anew.

Initial set-up

Removing the protective foil and stickers

- Remove:
 - The protective foil from the door
 - Any stickers from the front and the lid



 Please do not remove any labels (e.g., the data plate) which are visible when you open the door.

Switching on the tumble dryer

- Turn the program selector to the *Cottons* program.

The welcome tone will sound and the welcome screen will light up.

Setting the language

You are requested to set the display language. It is possible to change the language at any time by setting the program selector to the *More programs/*  position in the *Settings*  sub-menu.



- Touch the ∇/Δ sensor button until the language you want appears in the display.
- Confirm your selection of the language by touching the *OK* button.

Setting up Miele@home

Your tumble dryer is equipped with an integrated WiFi module. The dryer can be connected to the household WiFi network.

You will then be able to operate the dryer via the Miele@mobile app.

The following message appears in the display:

 Miele@home

- Touch the OK sensor button.



- Confirm the message by touching the OK sensor button.

You can also start up the Miele@home app at a later time.

- Touch the ∨ sensor button until the following appears in the display: Set up later. Confirm the message with the OK sensor button.

- Select the required connection type from the display.

1. Connect via WPS
2. Connect via App

If your WiFi signal strength is not sufficient for the dryer location, please contact your WiFi provider.

Miele@mobile App

The Miele@mobile App is available to download free of charge from the Apple App Store® or from the Google Play Store™.



Connecting with WPS

Your WiFi router must support WPS (WiFi Protected Setup).

- Follow the instructions in the display.

If the connection fails, you have probably not connected WPS to your router quickly enough. Repeat the steps above.

Tip: If your WiFi router does not support WPS, please connect via the Miele@mobile app.

Initial set-up

Connecting via the app

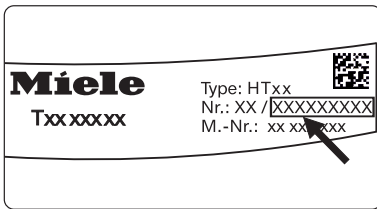
The Miele@mobile app can be used to connect to your network.

- Install the Miele@mobile app on your mobile device.
- Follow the instructions in the app.

To log in you will need:

1. Your WiFi network password
2. The password for your tumble dryer

The password for your dryer consists of the last nine digits on the serial number. This can be found on the appliance's data plate.



If the connection is successful, the following will appear in the display:



- Confirm with the OK sensor button.

Completing the procedure for initial set-up outlined in these instructions

- Confirm with the OK sensor button.
- Please see "1. Notes on correct laundry care".
- You can then select a program and load the tumble dryer as described in "2. Selecting a program" and "3. Loading the tumble dryer".


Once a full program cycle is completed the settings will be saved.

1. Notes on correct laundry care

Points to note regarding washed laundry


- When washing very heavily soiled items, ensure that you use sufficient detergent and select a high temperature. If in doubt, wash the items several times.
- Do not load the drum with items that are still soaking wet. Make sure your laundry is spun at the maximum spin speed before drying. The higher the spin speed, the greater the savings that can be made in energy and time during drying.
- New dark colored garments should be washed and dried separately from light colored garments. There is the risk of colors running and discoloring other garments or even plastic components in the dryer. Dark colored fibers can also settle on light colored garments and vice versa.
- Starched laundry can be tumble dried. To achieve the usual finish, double the amount of starch should be used.

Preparing the laundry before drying

 Damage due to foreign objects which were not removed from the laundry.

Foreign objects can melt, burn, or explode.

Ensure that any foreign objects (e.g., detergent dispensing balls, lighters, etc.) have been removed from the laundry.

 Risk of fire due to incorrect use and operation.




The laundry can burn and destroy the dryer and the surroundings.

Read and observe “IMPORTANT SAFETY INSTRUCTIONS”.

- Sort the laundry according to the type of fiber and weave, size, garment care label symbol, and the drying level required.
- Check seams and stitching to ensure that padding and linings are intact. This way you will avoid the danger of fillings coming out. These could catch fire when being dried.
- Untangle the laundry.
- Tie together textile belts and apron ties.
- Fasten duvet covers and pillow cases to prevent small items from being rolled up inside them.
- Fasten hooks and eyes.
- Leave jackets open and undo any long zippers so that textiles dry evenly.
- Sew in or remove underwiring from bras.
- If necessary, reduce the size of the load for these types of fabric. Easy care fabric tends to crease more, the larger the load. This is particularly the case for garments made from very fine weave fabric, such as dress shirts or blouses.

1. Notes on correct laundry care

Understanding the care label symbols

Drying	
	Normal/higher temperature
	Low temperature*
	* Select <i>Gentle</i>
	Do not tumble dry

Ironing	
	Very hot
	Hot
	Warm
	Do not iron

Drying

Tip: See the “Program chart”.

This describes the programs and gives their maximum load.

- Always observe the maximum recommended load for each program. This will mean that the energy consumption for the amount of laundry is at its most economical.
- Down-filled garments have linings which have a tendency to shrink, depending on the quality of the item. Only use the *Smoothing* program for these items.
- You should only tumble dry pure linen if it is specified as suitable by the manufacturer on the care label, as the surface of the fabric may otherwise become rough. Only use the *Smoothing* program for these items.
- Woolens and wool blends tend to become matted and shrink if tumble dried. Only use the *Woolens/Silks* program for these items.


- Jersey fabrics (e.g., T-shirts, underwear) tend to shrink when they are washed for the first time. Therefore, do not over-dry the fabrics to prevent them from shrinking further. Buy jersey fabrics that are one or two sizes bigger.
- Select the extra *Gentle* option for fabric which is particularly heat-sensitive or susceptible to creasing.

Selecting the right drying level

- *Extra dry* or *Normal Plus* if you want to fold the laundry after drying and put it in the closet.
- *Normal* or *Slightly dry* for textiles that can shrink. Or for light cotton or jersey textiles.
- *Hand iron* or *Machine iron* if you want to iron the laundry after drying.

2. Selecting a program

Switching on the tumble dryer

The tumble dryer is switched on when you select a program, and switched off by turning the program selector to the  position.

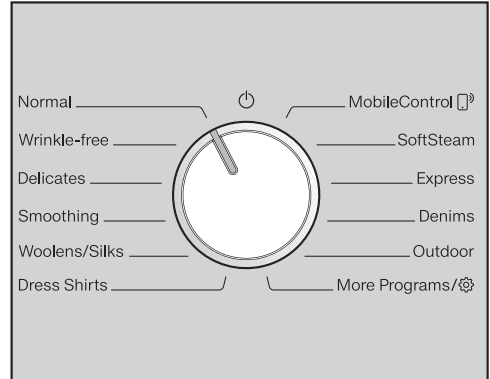
- Turn the program selector to a program.

When a program is selected, the program name and the maximum load (weight of dry laundry) possible for the program will appear in the display for a few seconds.

Selecting a program

There are three possible ways to select a program.

1. Selecting the standard programs with the program selector dial

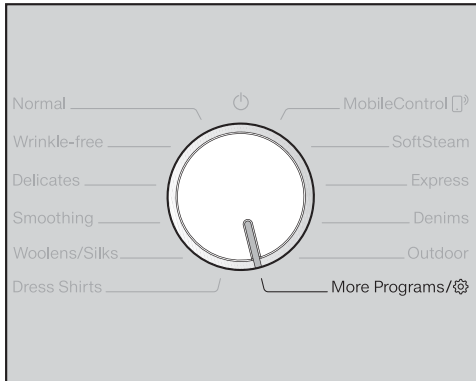


- Turn the program selector.

The selected program will be shown in the display. This will then be replaced by the standard display.

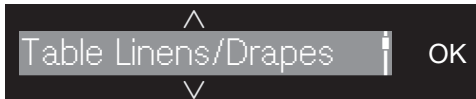
2. Selecting a program

2. Selecting further programs via the “More programs/⚙️” position and the display:



- Turn the program selector.

The following appears in the display:

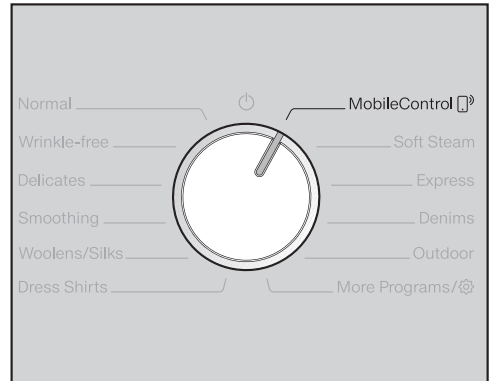


- Touch the ^v sensor buttons until the program you want appears in the display.
- Confirm the program with the OK sensor button.

The selected program will be shown in the display. This will then be replaced by the standard display.

3. Selecting the programs via the MobileControl (with a smartphone icon) and the Miele@mobile app


Tip: In order to use MobileControl (with a smartphone icon), the dryer must be logged on to the WiFi network and remote control must be switched on.



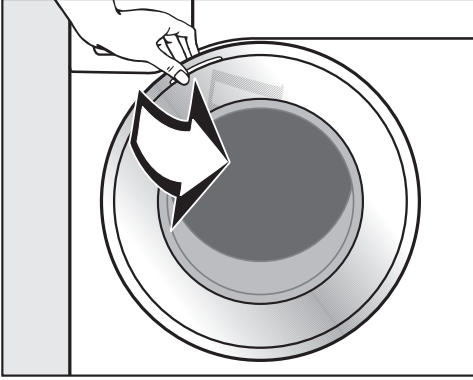
- Turn the program selector.
- Follow the instructions in the display.
- Touch the *Start/Stop* sensor button.

The dryer can now be operated via a mobile device together with the Miele@mobile app.


3. Loading the tumble dryer


 Please see “1. Notes on correct laundry care” first.
This prevents damage to textiles or the dryer.

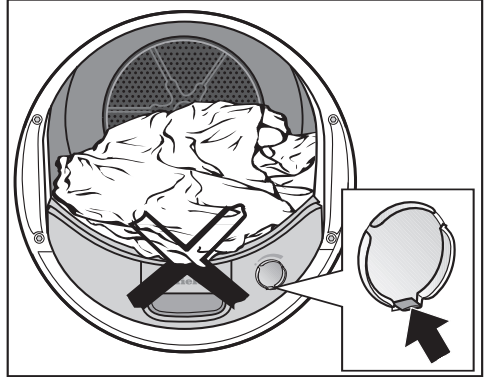
Opening the door



- Pull the door open at the side with the orange marker.
- Unfold the laundry and load loosely into the drum.

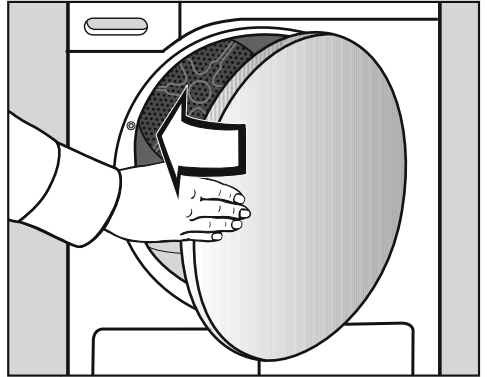
 Do not overload the drum.
Overloading can cause unnecessary wear and tear to the laundry, give a disappointing drying result and cause more creasing.

 When closing the door, make sure that laundry does not get trapped in the door opening.
This could damage the laundry.



If you are not using a fragrance capsule: The tab must be pushed down completely (see arrow).

Closing the door



- Shut the door with a gentle swing.

4. Selecting program settings

Program settings

Selecting drying levels during drying level programs


Normal, Wrinkle-free, Delicates, Smoothing, Dress Shirts, Express, Denims, Outdoor, Sportswear, Soft Steam, Table Linens/Drapes, Bed Linens

The pre-set drying level can be changed if required.



- Touch the \wedge or \vee sensor buttons to select a drying level.

Any drying level can be selected for the *Normal* and *Express* programs. A more limited range is available when using the other programs.

 **Important:** When selecting the *Soft Steam* program, you must make sure that the condensed water container has been filled as described in these operating instructions (see “Condensed water container”).

Time-controlled and other programs

Time Dry, Cold Air, Basket

You can change the duration in 10-minute increments.

Cold Air: 20 min – 1:00 h
Time Dry: 20 min – 2:00 h
Basket: 40 min – 2:30 h



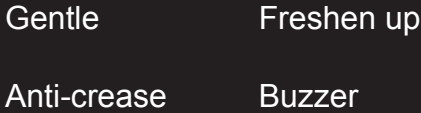
- Touch the \wedge or \vee sensor buttons to select a duration.

Woolens/Silks, Pillows, Proofing

The drying result is preset by the dryer and cannot be altered.

4. Selecting program settings

Selecting an extra option




Gentle Freshen up
Anti-crease Buzzer

- Touch a sensor button to select the desired extra option.

The relevant sensor button will light up brightly.

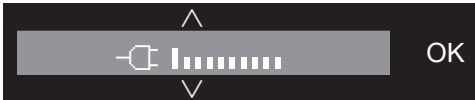
Freshen up and *Gentle* cannot be combined, see “Extra options” for additional notes.

EcoFeedback

You can use the  sensor button to call up an energy consumption forecast for your dryer.

- Touch the  sensor button.

The estimated energy consumption levels will be displayed as a bar chart.



The more bars visible (|), the higher the energy consumption.

- Touch the *OK* sensor button or wait until the display automatically returns to the standard display.

Delay start/SmartStart

Delay start

With the delay start function, you can delay the start of the program.

This function is active when the setting *SmartGrid* is switched off.

The hours can be set in the values from 00 to 24. The minutes can be set in 15-minute increments from 00 to 45.

Setting the delay start time

- Touch the  sensor button.

The following will appear in the display:



- Set the hours with the ∇ and \blacktriangle sensor buttons. Confirm with the *OK* sensor button.

The display will change:



- Set the minutes with the ∇ and \blacktriangle sensor buttons. Confirm with the *OK* sensor button.

Tip: The values will count upwards and downwards automatically if you keep your finger on the ∇ or \blacktriangle sensor button.

Changing delay start

The selected delay start time can be changed before the program start.

- Touch the  sensor button.

4. Selecting program settings

- If desired, change the specified time and confirm with the **OK** sensor button.

Canceling delay start

The selected delay start time can be canceled before the program start.

- Touch the  sensor button.

The selected delay start time will appear in the display.

- Set a time value of 00:00 h with the ∇/\wedge sensor buttons. Confirm with the **OK** sensor button.

The selected delay start time has been canceled.

After the program start, the selected delay start time can only be changed or deleted by interrupting the program.


SmartStart

The SmartStart function lets you define a time period during which your dryer will start automatically. The start takes place via a signal, e.g., from your energy supplier, that indicates that the electricity rate is particularly economical. Please check with your local utility provider for availability.

This function is active when the SmartGrid setting is switched on.

The time period can be defined between 15 minutes and 24 hours. During this period, the dryer waits for the signal from the energy supplier. If no signal is sent during the defined period, the dryer starts the drying program.

Setting the timeframe

If you have activated the SmartGrid function in Settings, SmartStart in instead of Start in will appear in the display when you press the  sensor button (see “Settings – SmartGrid”).

The procedure for setting this is the same as for setting the time for delay start.

- Use the ∇/\wedge sensor buttons to enter the hour and confirm your entry with the **OK** sensor button.

The hour will be saved and the minute number pad will be highlighted.

- Use the ∇/\wedge sensor buttons to enter the minutes and confirm your entry with the **OK** sensor button.

- Press the *Start/Stop* sensor button to start the drying program with SmartStart.

The following will appear in the display:



5. Starting a program

Starting a program

- Touch the flashing *Start/Stop* sensor button.


The *Start/Stop* sensor button will light up and *Drying* appears in the display.

Notes

If a delay start time has been selected, then this will count down on the time display. At the end of the delay start time or immediately after the program has started (if no delay start time has been selected), the program duration will appear on the time display.

With a longer delay start time, the drum will rotate occasionally to untangle the laundry. This is not a fault.

- The *Perfect Dry* indicator will only flash/light up with programs with selectable drying levels (see also “Operating the tumble dryer”).
- This dryer measures residual moisture content in the laundry to ensure perfect drying results. However, if you load the dryer with little or dry laundry, it will be dried/aired for a set duration. In this case, *Perfect Dry* does not light up at the end of the program.

 Avoid overdrying items of laundry and garments. Otherwise they can wear out!

- The drying level reached for the selected drying level program will light up in the display.
- If *End/Cooling down* appears, the laundry has cooled down, but the program is not yet finished.

Energy savings

After 10 minutes, the indicators dim and the *Start/Stop* sensor button starts flashing.

- Touch the *Start/Stop* sensor button to switch the indicators on again (this does not have any effect on a running program).

The drum lighting switches off once the program has started.

6. Program end – removing the laundry

Program end

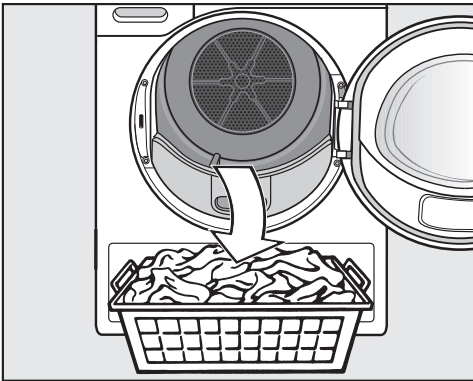
The program is finished when *End/Anti-Crease* or *End* appears in the display. The *Start/Stop* button light goes out.

The dryer will switch off automatically 15 minutes after the end of the *Anti-crease* phase (with programs without an *Anti-crease* phase it will switch off 15 minutes after the end of the program).

Removing the laundry

Only open the door when the drying process has finished. Otherwise, the laundry will not be properly dried through and cooled down.

- Pull the door open at the side with the orange marker.




- Remove the laundry.

Items left in the dryer could be damaged by over-drying when the dryer is used the next time. Always remove all items from the drum.

- Turn the program selector to .

- Remove the lint from the 2 lint filters in the door opening: see the “Cleaning and care – Lint filters”.

 You must remove the fragrance capsule (if present) beforehand. See “Fragrance capsule”.

- Shut the door with a gentle swing.
- Empty the condensed water container, if used.


Drum lighting

The inside of the drum lights up so that you don't forget any items of laundry when you empty it.


The drum lighting switches off automatically (energy saving).

Program chart

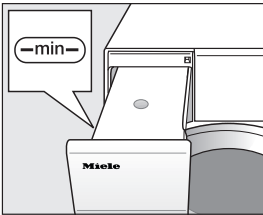
All weights marked with * are based on the weight of dry laundry.

Normal		Full load (17.6 lb/8 kg)*
Extra dry, Normal plus, Normal, Slightly dry		
Items	Single and multi-layered cotton items. For example, T-Shirts, underwear, baby clothes, workwear, jackets, covers, aprons, overalls, hand towels, bath towels, bathrobes, and flannelette/bed linen.	
Tip	<ul style="list-style-type: none"> – Select <i>Extra dry</i> for multi-layered and very thick fabrics. – Do not use <i>Extra dry</i> for jersey fabrics (e.g., T-shirts, underwear, baby clothes) because they can shrink. 	
Hand ironΔ, Hand iron$\Delta\Delta$, Machine iron		
Items	All cotton or linen fabrics requiring further processing. For example, table linen, bed linen, or starched laundry.	
Tip	To prevent laundry from drying out it should be rolled up until you are ready for ironing.	
Wrinkle-free		Half load (8.8 lb/4 kg)*
Normal plus, Normal, Slightly dry, Hand ironΔ, Hand iron$\Delta\Delta$		
Items	For minimum iron items made of cotton, synthetic, or mixed fiber. For example, workwear, overalls, pullovers, dresses, pants, pantyhose, and table linen.	
Delicates		Small load (5.7 lb/2.5 kg)*
Normal plus, Normal, Slightly dry, Hand ironΔ, Hand iron$\Delta\Delta$		
Items	Delicate items with the  symbol on the care label made of synthetic fiber, mixed fiber, rayon, and easy care cotton. For example, dress shirts, blouses, lingerie, and appliquéd garments.	
Tip	The load should be reduced further for a particularly crease-free drying process.	

Program chart

Smoothing		Very small load (2.2 lb/1 kg)*
Normal, Hand ironΔ		
Items	<ul style="list-style-type: none"> – Cotton and linen fabric. – For minimum iron items made of cotton, mixed, or synthetic fiber. For example, pants, jackets, and shirts. 	
Tip	<ul style="list-style-type: none"> – This program smooths out creasing caused during the spin cycle in the washing machine. – This program is also suitable for dry fabrics. – Please remove the garments as soon as the program has finished. 	
Woolens/Silks		Small load (4.4 lb/2 kg)*
Items	<ul style="list-style-type: none"> – For woolen garments and fabric containing wool blends. For example, pullovers, knitted jackets, and pantyhose. – Silk garments which are suitable for tumble drying, e.g., blouses and shirts. 	
Tip	<ul style="list-style-type: none"> – Woolen garments are loosened and fluffed up in a short amount of time. – The program reduces the amount of creases in silk garments that are suitable for tumble drying. – The items are not dried completely in this program. – Please remove the garments as soon as the program has finished. 	
Dress Shirts		Small load (4.4 lb/2 kg)*
Normal plus, Normal, Slightly dry, Hand ironΔ, Hand iron$\Delta\Delta$		
Items	For all shirts and blouses.	
MobileControl 		
The Miele@mobile app is used to select the programs and operate the appliance.		

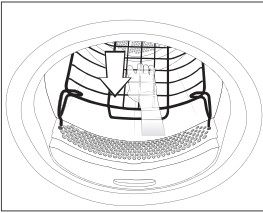
Program chart

SoftSteam		Very small load (2.2 lb/1 kg)*
Normal, Hand ironΔ		
Items	<ul style="list-style-type: none"> – All items made of cotton or linen fabric. – For minimum iron items made of cotton, mixed, or synthetic fiber. For example, pants, anoraks, and shirts. 	
Tip	<ul style="list-style-type: none"> – For dampening the items before ironing. – For smoothing items that are creased. – Select <i>Hand iron</i> if the items are to be ironed after drying. 	
Note	<ul style="list-style-type: none"> – At the beginning of the program, the condensed water collected in the condensed water container is sprayed into the drum via a spray jet. The condensed water container must therefore be filled with water to at least the –min– marker. 	
		
	<ul style="list-style-type: none"> – You can hear a humming noise during the spraying process. 	
Express		Half load (8.8 lb/4 kg)*
Extra dry, Normal plus, Normal, Slightly dry, Hand ironΔ, Hand iron$\Delta\Delta$, Machine iron		
Items	Suitable for resistant garments for the <i>Normal</i> program.	
Note	The program duration is shortened.	
Denims		Small load (6.6 lb/3 kg)*
Normal plus, Normal, Slightly dry, Hand ironΔ, Hand iron$\Delta\Delta$		
Items	All the denim garments, e.g., jackets, jeans, shirts, and skirts.	
Outdoor		Small load (5.5 lb/2.5 kg)*
Normal, Hand ironΔ		
Items	Outdoor which is suitable for drying in a tumble dryer.	

Program chart

Time Dry		Full load (17.6 lb/8 kg)*
Items	<ul style="list-style-type: none"> – For multi-layered fabric whose layers have different drying characteristics, e.g., jackets, pillows, sleeping bags, and other voluminous items. – For drying individual items, e.g., bath towels, swimwear, dish cloths, and towels. 	
Tip	Do not select the longest drying time to start with. Check the items as you are drying them to find the optimum time.	
Table Linens/Drapes		Half load (8.8 lb/4 kg)*
Normal, Hand ironΔ, Hand iron$\Delta\Delta$		
Items	For resistant garments made of cottons, linens, or polycottons, e.g., table linen, curtains, and drapes.	
Cold Air		Full load (17.6 lb/8 kg)*
Items	Any item which only needs airing.	
Proofing		Small load (5.5 lb/2.5 kg)*
Items	For drying microfiber fabrics, skiwear, outdoor wear, fine, closeweave cotton garments (poplin), and table linen which are suitable for drying in a tumble dryer.	
Note	<ul style="list-style-type: none"> – Items are dried to a <i>Normal</i> level only. – This program includes a proofing fixing phase. – Only use proofing agents which are stated by the manufacturer as being “suitable for use on membrane textiles”. These agents contain fluorochemical compounds. – Risk of fire! Do not dry items which have been treated with proofing agents containing paraffin. 	

Program chart

Basket		Load for basket (7.7 lb/3.5 kg)
Note	<ul style="list-style-type: none"> – This program may only be used with the Miele dryer basket (optional accessory). – You must follow the operating instructions for the dryer basket. 	
		
Fabric type/Items	<ul style="list-style-type: none"> – You must follow the operating instructions for the dryer basket. – Only use this program to dry or air items which are suitable for drying in a tumble dryer but should not be physically tumbled. – Do not place shoes inside the drum for drying. Placing shoes inside the drum for drying can cause the belt to tear. You must always use the dryer basket when drying/airing shoes. 	
Sportswear		Small load (6.6 lb/3 kg)*
Normal plus, Normal, Slightly dry, Hand ironΔ, Hand iron$\Delta\Delta$		
Items	For sportswear which is suitable for drying in a tumble dryer.	
Pillows	1–2 pillows 15 3/4" (40 x 80 cm) or 1 pillow 31 1/2" (80 x 80 cm)	
Items	Pillows suitable for drying in a tumble dryer, with feather, down, or synthetic fillings.	
Note/tip:	<ul style="list-style-type: none"> – Items are dried to a <i>Normal</i> level only. – Pillows can still feel damp after being dried. You can use this program several times until the pillow feels dry. 	

Program chart

Bed Linens		Half load (8.8 lb/4 kg)*
Extra dry, Normal plus, Normal, Slightly dry, Hand ironΔ, Hand iron$\Delta\Delta$, Machine iron		
Items	Bed Linens	
Tip	<ul style="list-style-type: none">– Select <i>Extra dry</i> for multi-layered and very thick fabrics.– To prevent laundry from drying out it should be rolled up until you are ready for ironing.	

The drying programs can be augmented with various extra options. However, *Freshen up* and *Gentle* cannot be combined.

Gentle	Freshen up
Anti-crease	Buzzer

Gentle

Delicate fabrics (with the ☐ symbol on the care label, e.g., acrylic garments) are dried at a lower temperature and the program duration is longer.

Freshen-up

You can use the *Freshen up* option to help remove or reduce odors in clean (dry or damp) clothing.

The drying air is heated up for a specific length of time. After this, the garments are aired to the *Normal* drying level without any more heat being added. The drying level cannot be altered.

The option will be more effective if you dampen the garments a little beforehand, use a fragrance capsule, and reduce the load. Please note that odors will not be removed as effectively from parts of garments made of synthetic fibers.

Anti-Crease

After the program has finished, the drum will continue to rotate in a certain rhythm for 2 hours, depending on the selected program. This “Anti-crease rhythm” helps to prevent creasing, if the laundry is not removed immediately after the end of a program.

Buzzer

A buzzer sounds to let you know the program has finished. The continuous buzzer which sounds during error messages is independent of this setting.

Extra options

Selectable extra options

These extra options can be selected in addition to the program.

	Gentle ¹	Freshen up ¹	Anti-crease	Buzzer
Normal	X	X	X	X
Wrinkle-free	X	X	X	X
Delicates	O	-	X	X
Smoothing	O	-	X	X
Woolens/Silks	-	-	-	X
Dress Shirts	X	X	X	X
SoftSteam	-	-	X	X
Express	-	-	X	X
Denims	X	X	X	X
Outdoor	O	-	X	X
Time Dry	X	-	X	X
Table Linens/Drapes	-	-	X	X
Cold Air	-	-	X	X
Proofing	-	-	X	X
Basket	-	-	-	X
Sportswear	X	-	X	X
Pillows	-	-	X	X
Bed Linens	-	-	X	X

¹ = These extra options cannot be combined with one another

X = Can be selected


O = Cannot be changed/Always active

- = Cannot be selected

Changing the program sequence

You cannot change to another program once a program has started (this prevents unintentional alterations).

If you try to change a program, **i** Change not possible lights up until the original program is reset.

Exception: The dryer is switched off by turning the program selector to the  position.

You will need to cancel the current program before you can select a new one.

Canceling a program

- Touch the *Start/Stop* sensor button.

Cancel Program lights up.

- Confirm with the *OK* sensor button.

End/Cooling down will light up in the display, depending on the drying duration and the drying temperature reached.


If Program Canceled appears:

- Turn the program selector to .

Selecting another program

- Close the door.
- Turn the program selector to another program.
- Touch the *Start/Stop* sensor button.

Adding or removing laundry

 Risk of burns when touching hot laundry of the dryer drum.

You could burn yourself.

Let the laundry cool down and remove it carefully.

- Pull open the door.
- Add or remove items.
- Close the door.
- Touch the *Start/Stop* sensor button.

The program starts.

Program duration


Altering the program sequence can cause the program duration shown in the display to be adjusted.

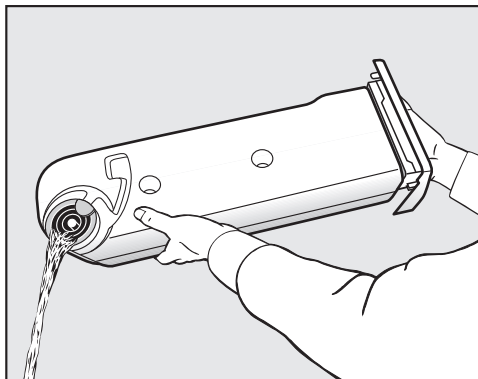
Condensed water container

Emptying the condensed water container

The condensed water is collected in the condensed water container.

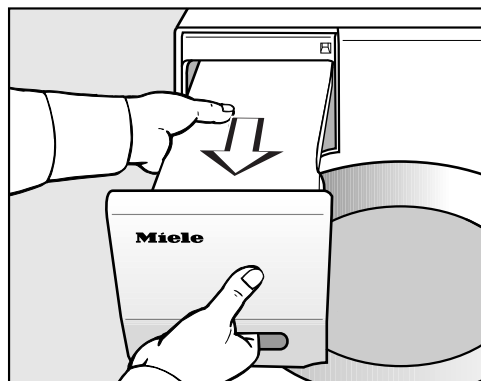
Empty the condensed water container after every drying program.

The Empty container See  indicator will light up if the maximum level of the condensed water container is reached. To turn the indicator light off: open and close the door while the dryer is switched on.



- Empty the condensed water container.
- Replace the condensed water container in the dryer.

It can cause health problems in people and animals.
Do not drink condensed water.



- Remove the condensed water container.
- To prevent water from running out, keep it in a horizontal position when carrying it. Hold the condensed water container at the front and towards the back.

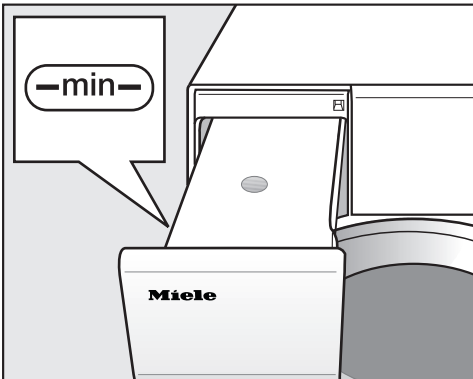
The condensed water can be used for the *Soft Steam* program. The condensed water container must be filled to use this program (see the following section).

Condensed water container

Preparing the condensed water container for the Soft Steam program

⚠ During the *Soft Steam* program, the condensed water collected in the condensed water container is sprayed into the drum via a spray jet. The condensed water container must therefore be filled with water to at least the **-min-** marker. Otherwise, this could cause a fault.

The **-min-** marker is at the front left-hand side of the container.

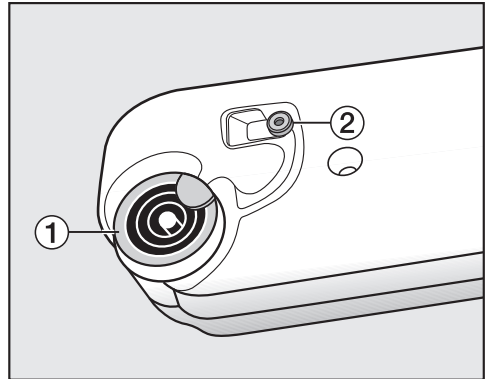


Make use of the condensed water which collects during the drying process.

If the condensed water container is empty

- You can fill the condensed water container with commercially available condensed water (ironing water).

You should only use tap water in exceptional circumstances. If tap water is used frequently, however, the spray jet (in the door opening) can become calcified.



1 spout, 2 rubber seal

- Pour the water in through the rings of the spout 1.

⚠ Only use clean water. The water must not contain any fragrance, detergent, or other substances.

Check the rubber seal from time to time.

If tap water is used frequently, white limescale deposits can build up on the rubber seal 2.

- Use a damp cloth to carefully remove any limescale deposits from the rubber seal 2.
- After cleaning the rubber seal, push the condensed water container fully into the dryer.

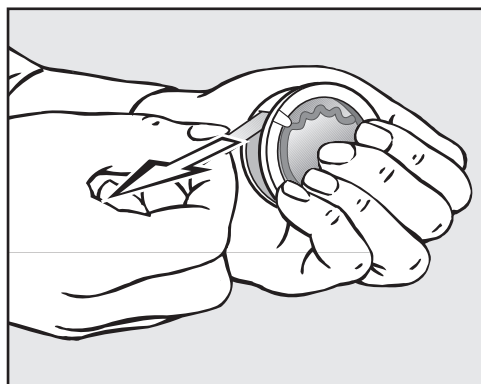
Fragrance flacon

Using a fragrance capsule (optional accessory) will add a pleasant fragrance to your laundry.

⚠ Before using a fragrance capsule, please read “Important safety instructions – Using a fragrance capsule (optional accessory)”.

Inserting a fragrance capsule

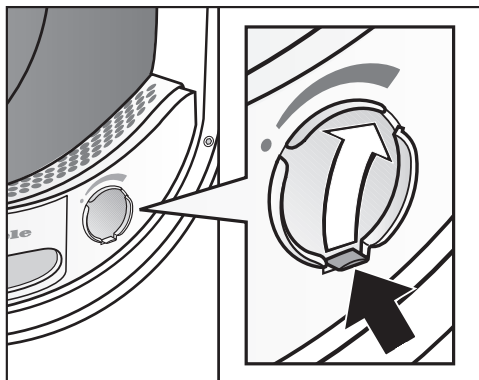
Only hold the fragrance capsule as illustrated. Do not hold it at an angle or tip it as the fragrance will run out of the capsule.



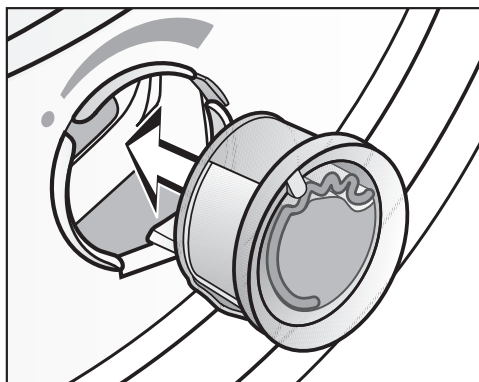
- Hold the capsule securely to prevent opening it by mistake.
- Pull off the protective seal.
- Open the door of the tumble dryer.

The fragrance capsule is inserted in the upper lint filter. The opening for this purpose is on the right-hand side beside the grip.

⚠ If you are not using a fragrance capsule: the cover must always remain closed (push the cover down completely with the tab).

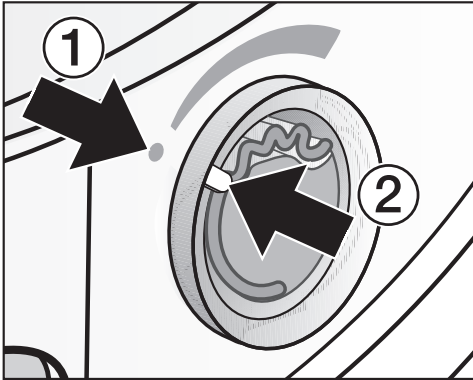


- Open the cover using the tab until the tab is at the top right-hand side as shown.

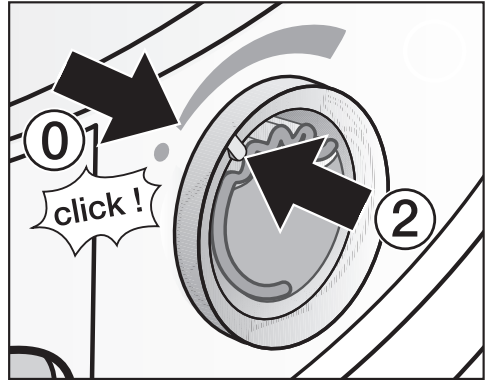


- Insert the capsule in the opening as far as it will go.

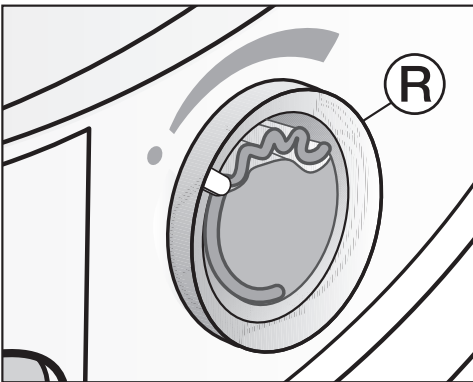
Fragrance flacon



Markers ① and ② must line up with one another.



– You will feel a slight resistance and hear a soft click.



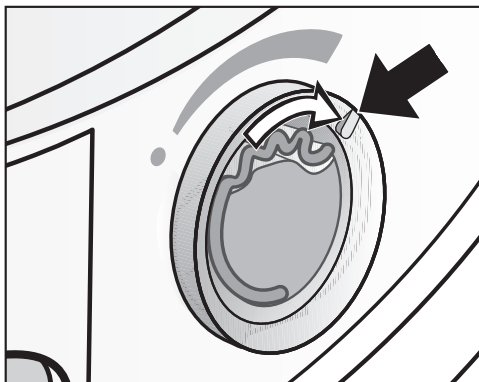
■ Turn the outer ring **R** clockwise a little.

Marker ② must be in position ①: this is the position at which you can feel a resistance.

Fragrance flacon

Before drying

You can select the intensity of the fragrance.



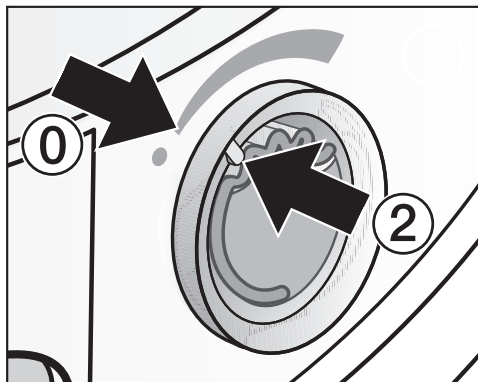
- Turn the outer ring clockwise a little.

The further you open the capsule, the more intense the fragrance.

Damp laundry and longer drying durations with sufficient heat transfer are needed for the fragrance to be released into the laundry effectively. The fragrance will also be noticeable in the room air during the process. The *Cool Air* program will not generally apply fragrance.

After drying

To avoid the fragrance escaping needlessly:



- Turn the outer ring counterclockwise until marker ② is in position ①.

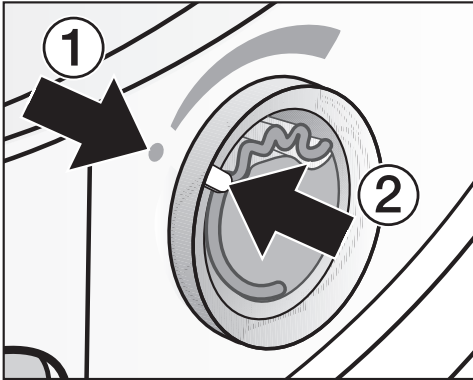
You will feel a slight resistance.

If you want to run the drying cycle without the fragrance capsule from time to time

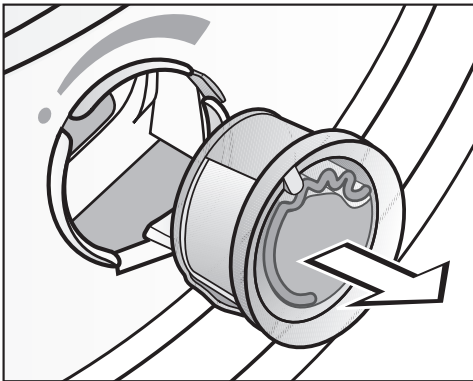
- Remove the fragrance capsule and store it in its original packaging.

Replacing the fragrance capsule

When the fragrance is no longer sufficiently intense:

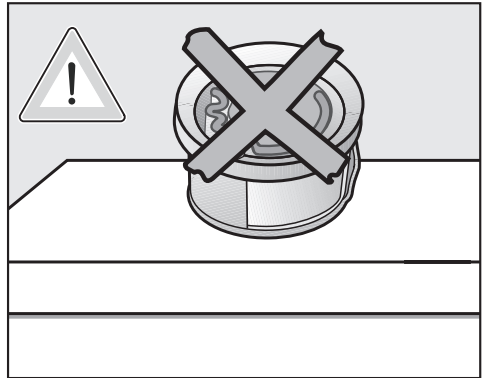


- Turn the outer ring counterclockwise until markers ① and ② line up.



- Replace the fragrance capsule with a new one.

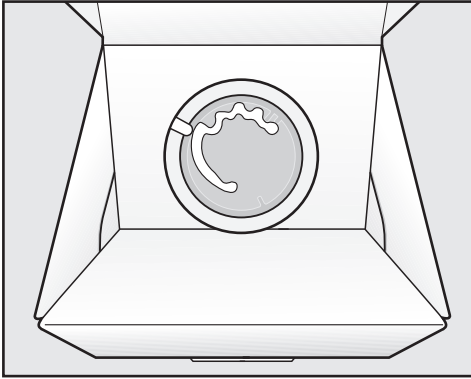
Fragrance capsules are available to order from Miele dealers or online.



⚠ Never lay the fragrance capsule down on any surface as the fragrance will run out.

Fragrance flacon

Only store the fragrance capsule in its original packaging



⚠ To prevent any fragrance running out of the capsule:
When not in use, the fragrance capsule must only be stored in its original packaging as illustrated.

- Clean the lint filters and the plinth filter: see “Cleaning and care”.

- When storing the fragrance capsule in its original packaging while you are not using it, e.g., while cleaning the tumble dryer: To prevent the fragrance running out, do not store the packaging upright on its edge or upside down.
- Store in a cool, dry place
- Store away from direct sunlight
- When purchasing new fragrance capsules: Only remove the protective seal just before use

Cleaning the lint filters


The intensity of the fragrance will be diminished if the lint filters and the plinth filter are not cleaned.

⚠ The fragrance filter must be removed before cleaning the lint filter.

Lint filters

This tumble dryer has 2 lint filters in the door opening: the upper and lower lint filters trap lint produced during the drying process.

⚠ Clean the lint filters after each drying program.
This prevents an extension of the program duration.

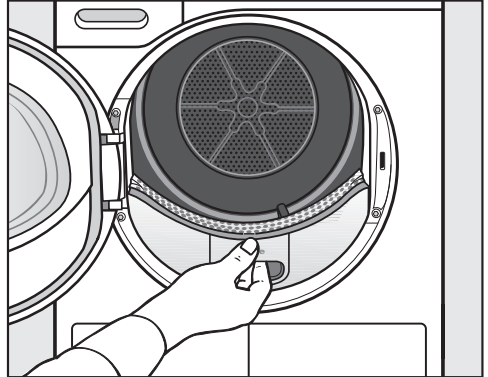
⚠ Also clean the lint filters when Clean plinth filter. See  lights up.
To turn the indicator light off: Switch the dryer off and then on again / if necessary, confirm with OK.

Removing visible lint

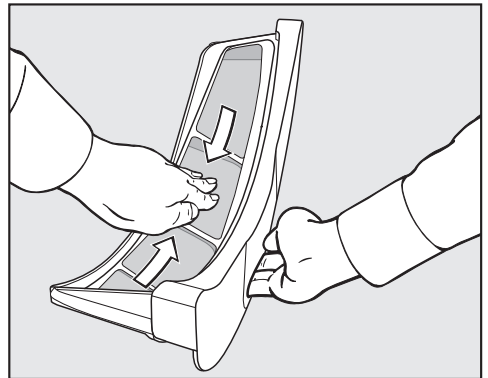
Tip: You can also use a vacuum cleaner so that you can remove the lint without touching it.

■ Open the door.

⚠ You must remove the fragrance capsule (if present) beforehand. See “Fragrance capsule”.

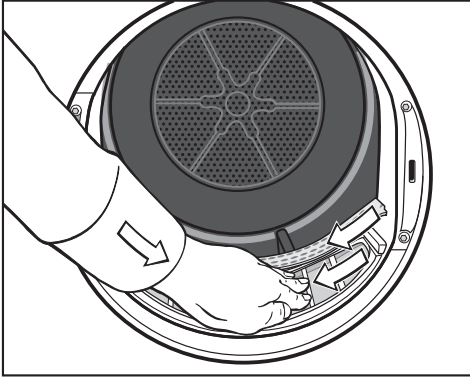


■ Pull the upper lint filter forward to remove it.



■ Remove the lint (see arrows).

Cleaning and care

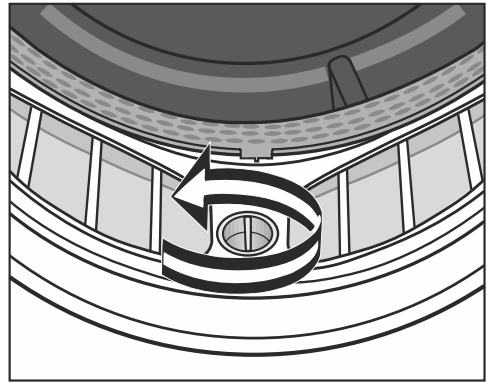


- Remove the lint (see arrows) from the filter surface of all the lint filters and the perforated laundry deflector.
- Push the upper lint filter back into position until it clicks.
- Close the door.

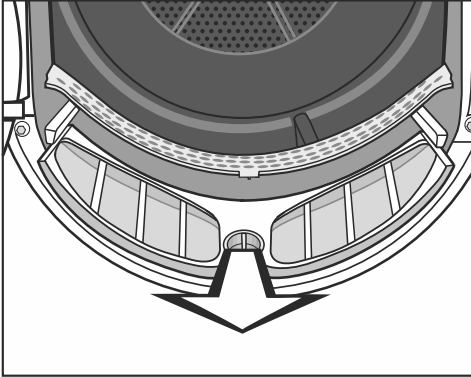
Cleaning the lint filters and air flow openings thoroughly

If the drying duration has become longer or the surface of the filters is visibly compacted with lint, you should carry out the following cleaning procedure.

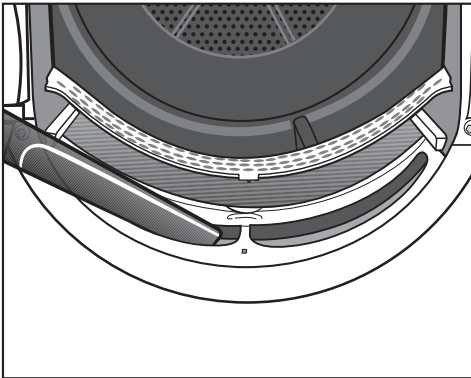
- Remove the fragrance flacon. See “Fragrance flacon”.
- Pull the upper lint filter forward to remove it.



- Turn the yellow dial on the lower lint filter in the direction of the arrow (until you hear it click).



- Hold the dial and pull the lint filter forward to remove it.



- Use a vacuum cleaner with a long crevice nozzle attached to remove any visible lint from the upper air flow openings.

Finally, clean the lint filters with water.

Cleaning the lint filters with water

- Wipe the smooth plastic surfaces of the lint filters with a damp cloth to clean them.
- Flush the lint filters through with warm running water.
- Shake the lint filters thoroughly and then dry them carefully.


Ensure the filters are dry before replacing them. Wet filters could cause operational faults.

- Push the lower lint filter in completely and lock it with the yellow dial.
- Push the upper lint filter in completely.
- Close the door.

Cleaning and care


Cleaning instructions when using fabric softener sheets

If you are using fabric softener sheets, please follow these warnings and instructions.

 First, clean the filters as described in “Cleaning the lint filters with water”.

If the surfaces of the lint filters are still strongly compacted with lint, then follow these measures.

Please note the plastic and surfaces of the lint filters can be damaged by the cleaning process described below.

 If the surfaces of the lint filters are not cleaned, this can extend the drying time and increase the energy consumption.

Try the following 3 cleaning instructions to determine the one that achieves the best results.

Option 1

- Wipe the surfaces of the lint filters several times with a cleaning cloth with an alcohol base until you have removed the impurities/obstructions.

 Risk of fire!

Then rinse the filter surfaces thoroughly with warm water to remove all residues.

Option 2

- Clean the lint filters in the dishwasher without any other dishes. Use a high-temperature program.



Option 3

- Wet the surfaces of the lint filters with a liquid color detergent (e.g., Miele Ultra Color Liquid Laundry Detergent).
- Leave it on for approx. 2 hours.

 Risk of fire!

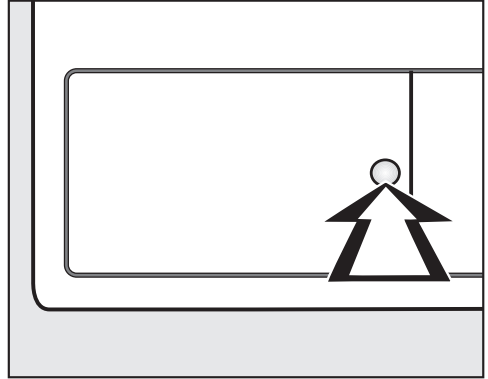
Then rinse the filter surfaces thoroughly with warm water to remove all residues.

Cleaning the plinth filter

 Clean the plinth filter whenever the Clean plinth filter. See  lights up or when the program duration is longer than usual.

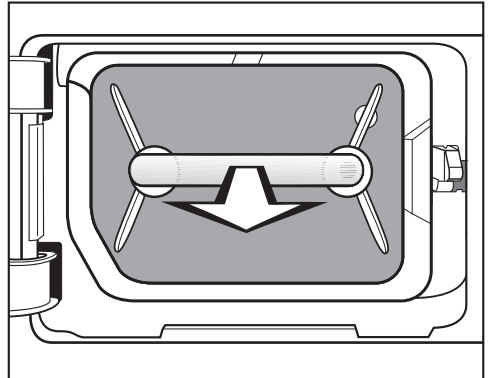
To turn the indicator light off: Switch the dryer off and then on again / if necessary, confirm with OK.

Removing the plinth filter



- Press the round, indented area on the heat exchanger access panel to open it.

The panel will spring open.

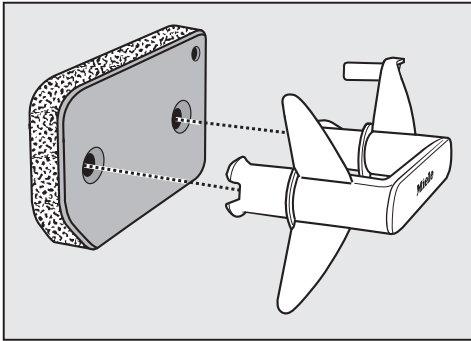


- Pull the plinth filter out by the handle.

This causes the right-hand guide pin in the dryer to come out. This pin ensures that the heat exchanger access panel can only be closed if the plinth filter is inserted the right way round.

Cleaning and care

Cleaning



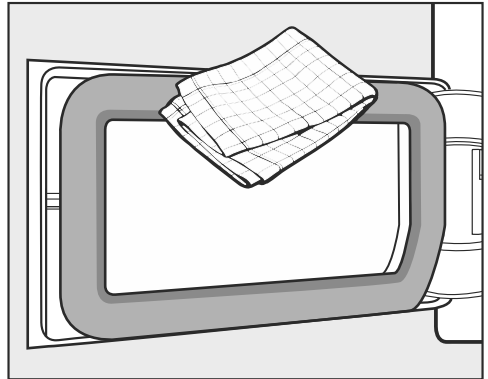
- Pull the handle out of the plinth filter.
- Clean the plinth filter thoroughly under clear, running water.

⚠ Do not add any chlorine-containing cleaning agents or detergents to the water. In the long run, these detergents could damage the plinth filter material and make it brittle.

⚠ The plinth filter must not be replaced dripping wet. This can cause a fault.

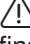
- Carefully squeeze the water out of the plinth filter.
- Use a damp cloth to remove any lint from the handle.

Cleaning the plinth filter flap



- Use a damp cloth to remove any lint. Make sure that you do not damage the rubber seal when doing this.
- Check whether the cooling fins are blocked with lint (as follows).

Checking the heat exchanger unit


 Risk of injury from sharp cooling fins.

You could cut yourself.

Do not touch the cooling fins with your hands.

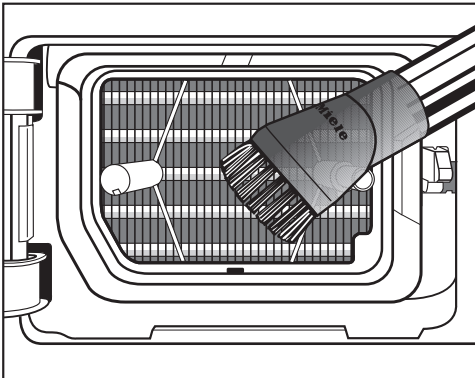
- Look to see if lint has accumulated.

If there is visible soiling:

 Damage due to incorrect cleaning of the heat exchanger.

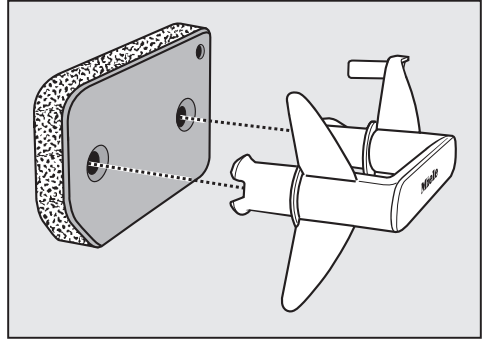
The dryer will not dry if the cooling fins are damaged or bent.

Use a vacuum cleaner with a dusting brush attached to clean the cooling fins. Only pass the vacuum cleaner brush over them lightly, without applying any pressure.



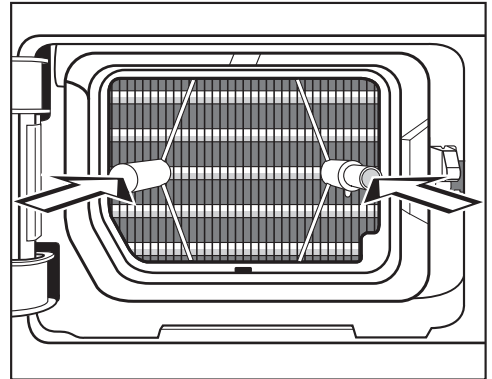
- Carefully vacuum up any visible lint or dirt.

Inserting the plinth filter



- Fit the filter back on the handle. Make sure it is the correct way round.

To ensure that the filter is positioned correctly in front of the heat exchanger unit:



- First insert the handle with the plinth filter attached over the two guide pins:


– The word Miele on the handle must be the correct way up.

- Push the plinth filter in completely.

This will push in the right-hand guide pin at the same time.

- Close the heat exchanger flap.

Cleaning and care


 Damage or ineffective drying if drying takes place without a plinth filter or when the heat exchanger flap is open.

Excessive accumulations of lint can damage the dryer in the long term. If the system is not leak-tight, this can make the drying ineffective.

You may only operate the dryer with the plinth filter fitted correctly and the heat exchanger flap closed.

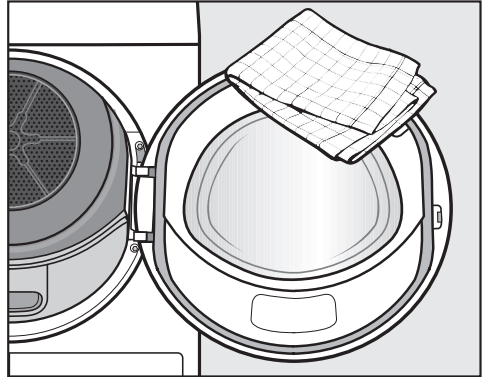
Cleaning the dryer

Disconnect the tumble dryer from the electrical supply.

 Damage due to the use of unsuitable care products.

Unsuitable care products could damage plastic surfaces and other parts.

Do not use any solvents, abrasive cleaners, glass cleaners, or all-purpose cleaners.



- Clean the tumble dryer and the seal on the inside of the door with a slightly damp soft cloth and a mild solution of liquid dish soap and water.
- Dry all the parts with a soft cloth.


Frequently Asked Questions

With the help of the following guide minor faults in the performance of the machine, some of which may result from incorrect operation, can be remedied without contacting the Service Department.









This guide may help you to find the reason for the fault, and how to correct it.

Some of the messages in the display are more than one line long. Touch the \vee or \wedge sensor button to read them in full.

The display indicates the following messages or faults

Message	Possible cause and solution
000 lights up after switching on.	Access via a PIN code has been activated. ■ You can enter the code. See “Settings – PIN Code”.
End/Cooling down	The laundry will be cooled down at the end of the program. ■ Either remove the laundry and spread it out to cool down or leave it in the tumble dryer to cool down during the cooling phase.
i Soft Steam	This is to remind you that water is taken from the condensed water container when the Soft Steam program is being used. The condensed water container must be filled with water to at least the – min – marker. ■ Fill the condensed water container. To switch off the message: ■ Confirm with OK .
i Open & close door	This is to remind you to load the laundry when the SoftSteam program is selected. ■ Load the laundry in the drum.
i Clean plinth filter. See  lights up at the end of a program.	There is a build-up of lint in the airways. ■ Clean the lint filters. ■ Clean the plinth filter. See “Cleaning and care”. To switch off the message: ■ Confirm with OK .

Frequently Asked Questions

Message	Possible cause and solution
 Clean plinth filter. See  lights up after a program has been interrupted.	<p>An excessive amount of lint has built up.</p> <ul style="list-style-type: none"> ■ Clean the lint filters. ■ Clean the plinth filter. ■ Clean the air duct area underneath the plinth filter. ■ Clean the heat exchanger. <p>To switch off the message:</p> <ul style="list-style-type: none"> ■ Switch the dryer off and then on again.
 Empty container See  lights up after a program has been interrupted.	<p>The condensed water container is full or there is a kink in the drain hose.</p> <ul style="list-style-type: none"> ■ Empty out the condensed water container. ■ Check the drain hose. <p>To switch off the message:</p> <ul style="list-style-type: none"> ■ Open and close the door while the dryer is switched on or switch the dryer off and back on again.
 Blockage detected. See  lights up after a program has been interrupted.	<p>The laundry is unevenly distributed or has rolled up.</p> <ul style="list-style-type: none"> ■ Open the door and untangle the laundry, and remove a few items, if necessary. ■ Switch the dryer off and then on again. ■ Start a program.
  Service Fault F XXX lights up after a program has been interrupted.	<p>There is no obvious cause.</p> <ul style="list-style-type: none"> ■ Switch the dryer off and then on again. ■ Start a program. <p>If the program is interrupted again and an error message appears, there is a fault. Contact Miele Technical Service.</p>

Frequently Asked Questions

Unsatisfactory drying results

Problem	Possible cause and solution
The laundry is not sufficiently dry.	<p>The load consisted of different types of fabric.</p> <ul style="list-style-type: none">■ Finish drying using the <i>Time Dry</i> timed drying program.■ Select a more suitable program next time. <p>Tip: You can alter the residual moisture level for some programs. See “Settings”.</p>
The laundry or feather-filled pillows develop a smell after drying.	<p>The laundry was washed with insufficient detergent. Feathers have the property of developing a significant odor when they are warm.</p> <ul style="list-style-type: none">■ Laundry: use sufficient detergent.■ Pillows: take out of the tumble dryer and air them.■ Use a fragrance flacon (available as an optional accessory) for your favorite fragrance.
Items made of synthetic fibers are charged with static electricity after drying.	<p>Synthetic fibers tend to attract static charge.</p> <ul style="list-style-type: none">■ Static charge can be reduced by adding a fabric softener to the final rinse in the washing program.
There is a build-up of lint.	<p>Lint is principally the result of friction when garments are being worn and to some extent when they are being washed. Machine drying hardly causes any lint to form.</p> <p>Lint is collected by the lint filters and the plinth filter and can be removed easily.</p> <ul style="list-style-type: none">■ See “Cleaning and care”.

Frequently Asked Questions


The drying cycle duration is very long

Problem	Possible cause and solution
<p>The drying process goes on too long or even switches off.*</p>	<p>The room in which the tumble dryer is located is too warm.</p> <ul style="list-style-type: none"> ■ Ventilate the room thoroughly.
	<p>Detergent residues, hair, and fine lint can clog the filters.</p> <ul style="list-style-type: none"> ■ Clean the lint filters and the plinth filter. ■ Remove visible lint: <ul style="list-style-type: none"> . . . on the bottom left, behind the flap in the heat exchanger cavity (see “Cleaning and care”); . . . at the bottom right of the cooling fins behind the grille (see the end of this section).
	<p>The laundry is unevenly distributed or has rolled up. The tumble dryer has been overloaded.</p> <ul style="list-style-type: none"> ■ Untangle the laundry and remove a few items. ■ Start a program.
	<p>The cool air intake (bottom right grille) is blocked.</p> <ul style="list-style-type: none"> ■ Move any objects, such as a laundry basket, away from the dryer.
	<p>The lint filters and the plinth filter were wet when replaced.</p> <ul style="list-style-type: none"> ■ The lint filters and the plinth filter must be dry.
	<p>The laundry is too damp.</p> <ul style="list-style-type: none"> ■ Spin using a higher spin speed in the washing machine.
	<p>Metallic components, e.g., zippers, have prevented the dryer from registering the correct moisture level.</p> <ul style="list-style-type: none"> ■ Open the zippers next time. ■ If the problem recurs, dry these items using the <i>Time Dry</i> timed drying program.

* Switch the tumble dryer off and on again before starting a new program.

Frequently Asked Questions

General problems with the tumble dryer

Problem	Possible cause and solution
<p>You can hear operating noises (buzzing/humming).</p>	<p>This is not a fault. The compressor (heat pump) is operating or you have selected the <i>Soft Steam</i> program.</p> <ul style="list-style-type: none"> ■ No action required. These noises are quite normal and can be heard when the compressor or the condensed water pump is operating.
<p>A program does not start.</p>	<p>There is no obvious cause.</p> <ul style="list-style-type: none"> ■ Connect the power plug. ■ Turn on the tumble dryer. ■ Close the door. ■ Check whether the fuse has tripped.
	<p>Power outage? When power is restored, any previously running program will restart automatically.</p>
<p>The display is dark and the <i>Start/Stop</i> button is flashing slowly.</p>	<p>The display has switched off automatically to save energy (Standby mode). The drum will turn at intervals in the Anti-crease phase.</p> <ul style="list-style-type: none"> ■ Press any button. Standby will end.
<p>The tumble dryer is switched off at the end of the program.</p>	<p>The tumble dryer switches off automatically. This is not a fault, but a normal function.</p>
<p>The display is in a different language.</p>	<p>A different language has been selected in “Settings, Language  ■ Set the language you want. The flag symbol will guide you. </p>
<p>The interior drum lighting does not come on.</p>	<p>Not a fault. The drum lighting switches off automatically in the following cases: If the door is closed. If the door remains open for an extended period of time.</p>

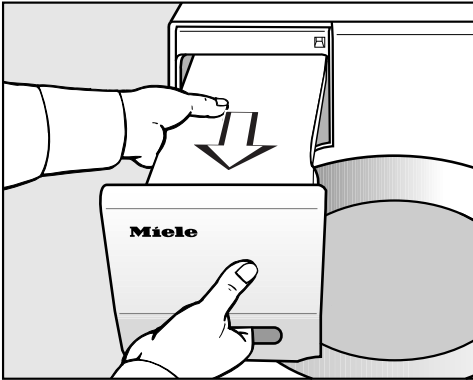
Frequently Asked Questions

Problem	Possible cause and solution
Insufficient spray for the Soft Steam program.	<p>The lint filter in the condensed water container is clogged.</p> <ul style="list-style-type: none">■ Clean the lint filter in the condensed water container. See “Lint filter in the condensed water container”.
	<p>The spray jet in the door opening is heavily calcified.</p> <ul style="list-style-type: none">■ Replace the spray jet. See “Spray jet for the Soft Steam program”.■ Only use condensed water. Do not use tap water. <p>The frequent use of tap water leads to limescale deposits.</p>

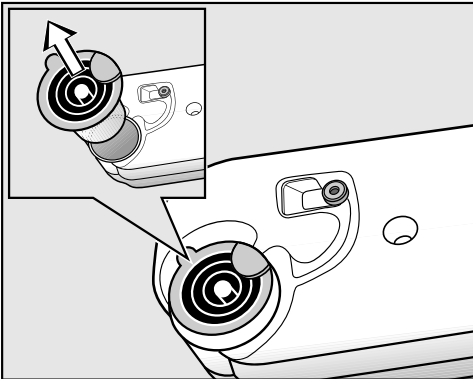
Frequently Asked Questions

Lint filter in the condensed water container

⚠ In some circumstances, there can be problems running the *Soft Steam* program. The lint filter at the end of the hose which is connected to the rubber seal in the condensed water container could be blocked.

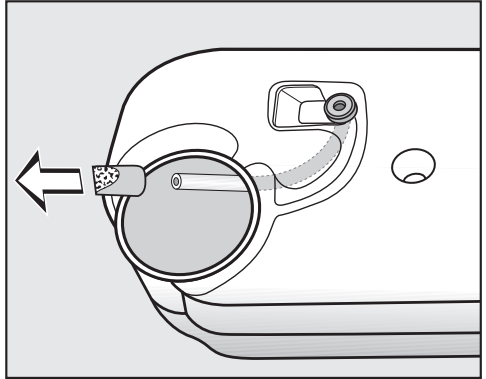


- Remove the condensed water container.



- Pull out the spout. Remove the spout by holding the side lug and pulling upwards.

⚠ To avoid detaching the hose, be careful not to tug on it.



- Guide the end of the hose through the opening and hold it securely with one hand.
- Use your other hand to pull the lint filter off the hose.
- Rinse the lint filter with a jet of water until all the lint has been removed.
- Refit the cleaned lint filter onto the hose.
- Now feed the hose with its lint filter attached into the condensed water container.
- Refit the spout in the condensed water container ensuring that it is positioned correctly. Please refer to the image.

Frequently Asked Questions

Spray jet for the Soft Steam program

⚠ Limescale deposits will impair the spray jet.
In this case, the spray jet must be removed and replaced with a new one (see “Optional accessories”).

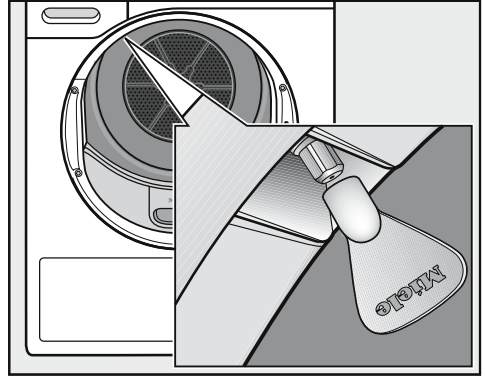
You can only replace the spray jet using a special tool. The special tool is supplied with the new spray jet.

⚠ Do not use any other tools. This would damage the spray jet or the dryer.

⚠ The *Soft Steam* program must never be used without the spray jet fitted and screwed in correctly.

- Open the door of the tumble dryer.

The spray jet is located in the top left of the door opening.



- Attach the tool to the spray jet.
- Turn the tool counterclockwise to unscrew the spray jet.
- Insert the new spray jet in the tool.
- Turn the tool clockwise to screw the spray jet securely in position.

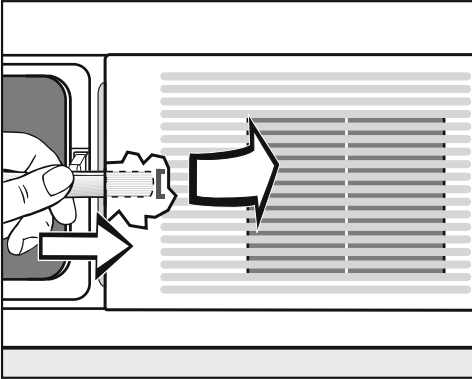
Frequently Asked Questions

Bottom right grille

⚠ In general, the cooling fins behind the grille on the bottom right do not need cleaning. They should only be cleaned if the drying process is taking an exceptionally long time due to a very high level of dust or lint in the room in which the dryer is located.

- First open the flap for the plinth filter (bottom left).

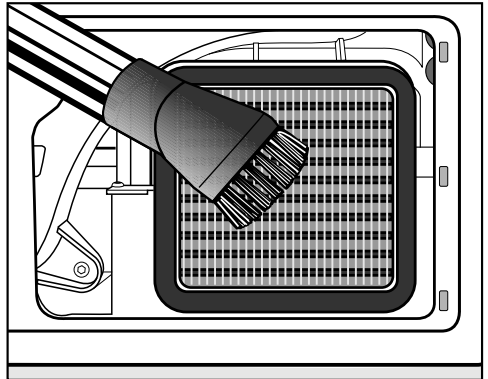
To remove the grille, the catch underneath it needs to be released using a teaspoon.



- Insert a spoon handle underneath the grille in the middle.
- Press the spoon handle against the catch and lever the grille open.
- Remove the grille.

⚠ Danger of injury! Do not touch the cooling fins with your hands. You could cut yourself.

⚠ Use a vacuum cleaner with a dusting brush attached to clean the cooling fins. Only pass the vacuum cleaner brush over them lightly, without applying any pressure. Take care not to bend the cooling fins out of shape or to damage them.



- Carefully vacuum up any visible lint or dirt.
- Re-insert the 3 hooks on the grille into the appropriate holes in the front of the dryer.
- Press the grille firmly back into position by pressing it in at the middle on the left.

Technical Service

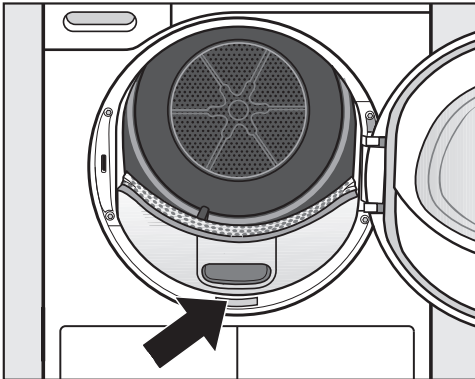
Contact in case of fault

In the event of a fault which you cannot remedy yourself, please contact your Miele dealer or Miele Technical Service.

Contact information for Miele Technical Service can be found at the end of this document.

Please quote the model and serial number of your appliance when contacting Miele. Both pieces of information can be found on the data plate.

Open the door of your tumble dryer to find the data plate:



Warranty

For further information, please refer to your warranty booklet.

Optional accessories

Optional accessories for this tumble dryer are available from your Miele dealer or Miele Technical Service.

You also can order these and many other useful products from the Miele online shop.

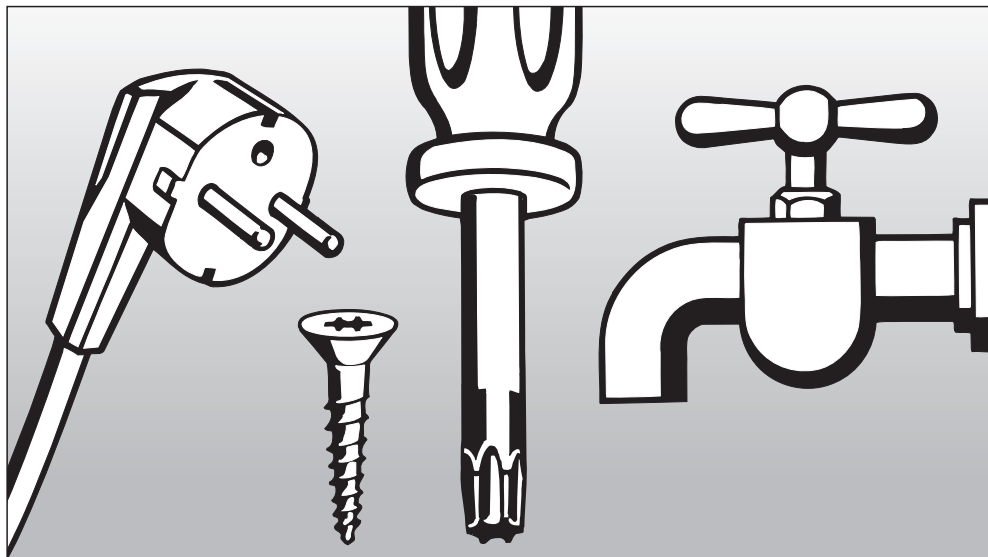
Dryer basket

The dryer basket enables items which must not be subjected to mechanical action to be dried or aired.

Fragrance flacon

A fragrance flacon can be used in your tumble dryer to add a pleasant fragrance to your laundry.

Installation instructions



Alteration rights reserved.

Visit our website for all the current product specifications, technical appliance information, and warranty information.

To avoid accidents or damage to the appliance, please read these instructions before installing and/or using it.

IMPORTANT SAFETY INSTRUCTIONS

WARNING - Risk of Fire

- ▶ To reduce the risk of severe injury or death, follow all installation instructions.
- ▶ Clothes dryer installation must be performed by a qualified installer.
- ▶ Install the clothes dryer according to the manufacturer's instructions and local codes.
- ▶ Repair and maintenance work should be performed by a Miele authorized service technician. Work by unqualified persons could be dangerous and could void the warranty.
- ▶ Before installation, disconnect the tumble dryer from the electrical supply by shutting off the power main, unplugging the power cord or tripping the circuit breaker. Do not restore power until the installation is complete.

▶ **GROUNDING INSTRUCTIONS**

This appliance must be grounded. In the event of malfunction or breakdown, grounding will reduce the risk of electric shock by providing a path of least resistance for electric current. This appliance is equipped with a cord having an equipment grounding conductor and a grounding plug. The plug must be plugged into an appropriate outlet that is properly installed and grounded in accordance with all local codes and ordinances.

- ▶ **WARNING** – Improper connection of the equipment-grounding conductor can result in a risk of electric shock. Contact a qualified electrician if you are in doubt as to whether the appliance is properly grounded.
- ▶ Do not modify the plug provided with the appliance: if it will not fit the outlet, have a proper outlet installed by a qualified electrician.
- ▶ Do not use an extension cord to connect this appliance to the power supply. Extension cords do not guarantee the required safety of the appliance (e.g. danger of overheating).

IMPORTANT SAFETY INSTRUCTIONS

- ▶ The installation of this unit in non stationary locations (e.g. ships) must be performed by a qualified installer or service agency, in strict accordance with national and local safety regulations and standards.
- ▶ Do not install the machine in rooms where temperatures below freezing may occur.
- ▶ This dryer is not intended for wall-insert.
- ▶ If there is any doubt concerning installation, contact Miele's Technical Service Department.

USA

1-800-999-1360 TechService@mieleusa.com

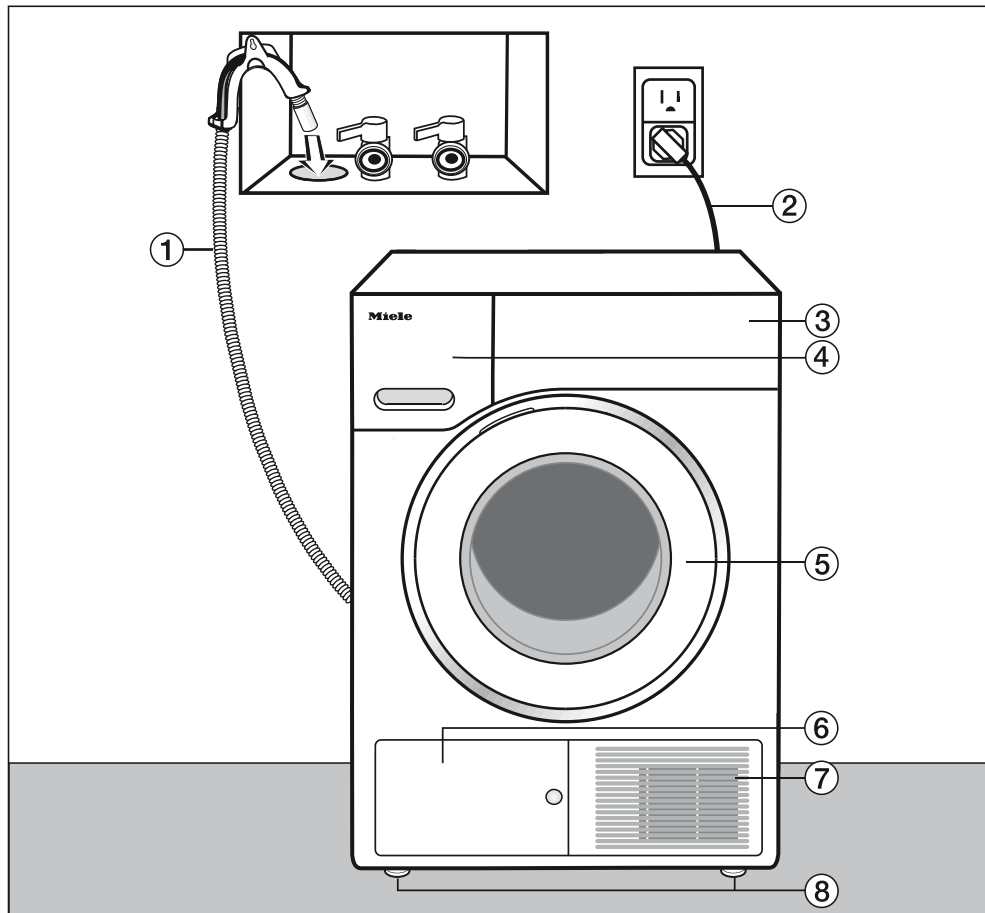
CDN

1-800-565-6435 service@miele.ca

SAVE THESE INSTRUCTIONS

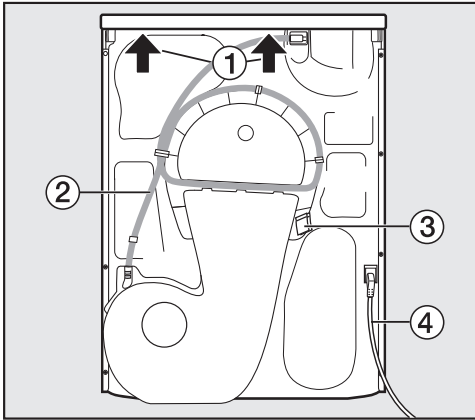
Installation

Front view



- ① Drain hose for condensed water
- ② Power cord
 - ⚠ Observe the section entitled “Electrical connection”.
- ③ Control panel
- ④ Condensed water container
 - empty after every drying cycle
- ⑤ Door
 - do not open during drying
- ⑥ Access panel to the heat exchanger and plinth filter
 - do not open during drying
- ⑦ Cool air intake grille
 - do not obstruct with a laundry basket or other objects
- ⑧ Four height-adjustable screw feet

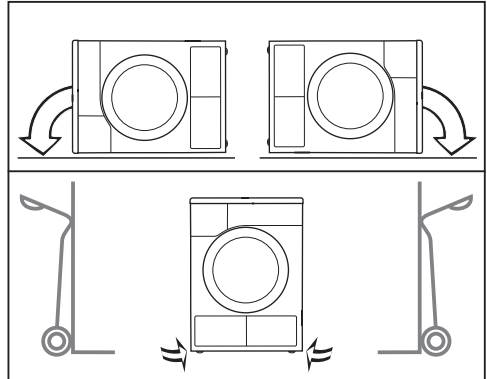
Rear view



- ① Protruding lid for holding when moving the tumble dryer (see arrows)
- ② Drain hose for condensed water
- ③ Hook for winding the power cord during transport
- ④ Power cord

Transporting the tumble dryer

⚠ Danger of injury to people and damage to property caused by moving the appliance incorrectly. If the tumble dryer tips up, there is a danger of injury to people and damage to property. Ensure that the tumble dryer is stable during transportation.



- If the tumble dryer is being transported on its side, it must be tipped onto its left or right side.
- If the tumble dryer is being transported upright and you are using a hand truck, you must transport it with its left or right side resting on the truck.

Transporting the tumble dryer to its installation site

⚠ The fixings at the back of the lid may become brittle due to external circumstances.

There is a danger of the lid being pulled off when carrying the appliance.

Before carrying the appliance check that the lid is secure where it protrudes at the back of the appliance.

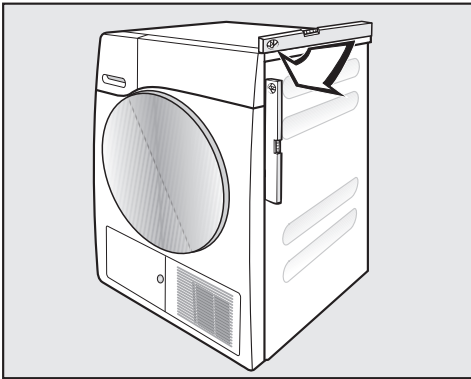
- Carry the tumble dryer by the front feet and by the lid where it protrudes at the back of the appliance.

Installation

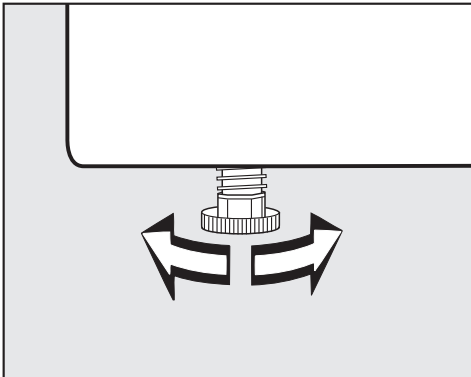
Installation

Leveling the tumble dryer

⚠ Ensure that no closeable door, sliding door, or an oppositely hinged door is installed that would hinder the door of the dryer being opened in any way.



The appliance must stand perfectly level to ensure safe and proper operation.



The screw feet can be adjusted to compensate for unevenness in the floor.

Ventilation

The cool air intake at the front of the dryer must not be blocked or covered. This would hinder a sufficient intake of cool air for the heat exchanger.

Do not block the gap between the bottom of the tumble dryer and the floor with toe kicks, deep pile carpet, etc. This would otherwise hinder a sufficient flow of air to the tumble dryer.

The hot air that is blown out from the heat exchanger warms the room air. Ensure sufficient ventilation of the room, e.g., open the window. The drying time will otherwise take longer (higher energy requirement).

Before moving the tumble dryer again

A small quantity of condensed water that remains in the area around the pump after the drying process can run out if the dryer is tilted.

Recommendation: Start the *Time Dry* program for approx. 1 minute before transporting the dryer. Any remaining condensed water will then be fed into the condensed water container (which you will need to empty again) or out through the drain hose.

Additional installation requirements

⚠ All installations must be carried out in accordance with local regulations.

Slot-in

This tumble dryer is suitable for pushing under a countertop.

! It is very important to avoid a build-up of heat. The warm air which is expelled from the dryer must be able to dissipate. Warm air which cannot dissipate could cause a fault.

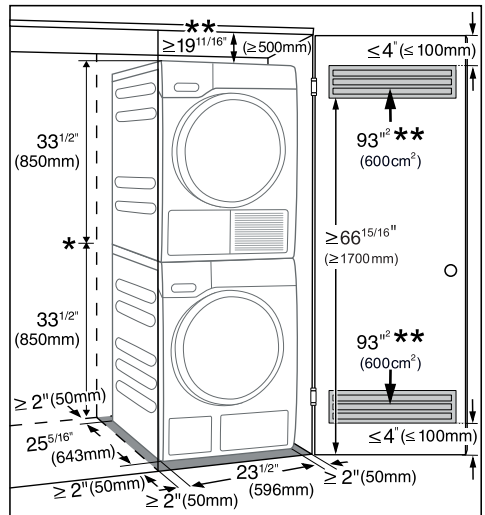
- The appliance lid must not be removed.
- The electrical socket must be located in an accessible position near the tumble dryer.
- Drying durations may increase slightly.

Installing the dryer in a closet

Minimum installation distance

! You must insert sufficiently large ventilation openings into the closet door. You can also open the closet door slightly while the dryer is operating.

Otherwise, the dryer can overheat, which can cause a fault.



* Height with Stacking Kit
 WTV502 = 67^{3/8}" (1711 mm)
 WTV512 = 71^{1/8}" (1806 mm)

** If it is not possible to fulfill the dimension specification you may have longer drying and process time.

! Ensure that the dryer door can be opened at any time.


Ensure that the laundry can be removed at any time without hindrance.

Installation

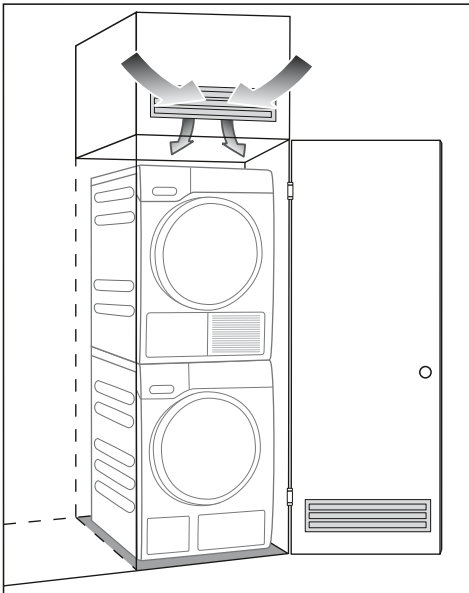
Installing the dryer in a floor-to-ceiling closet

You can also insert a ventilation opening at the top of the closet. In addition, you must also provide an opening on the bottom side of the closet door.

Direct ventilation is also possible via an air conditioning outlet in the closet.

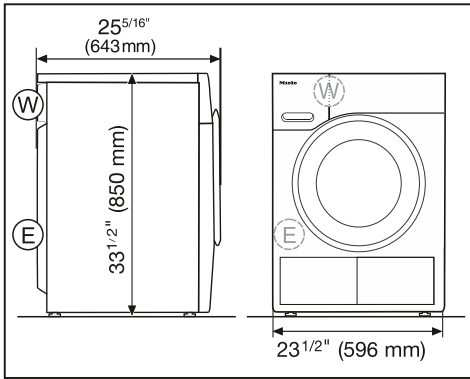
 The air must be able to circulate freely at the top of the closet.

The air supply must not be hindered by a shelf.



Product dimensions

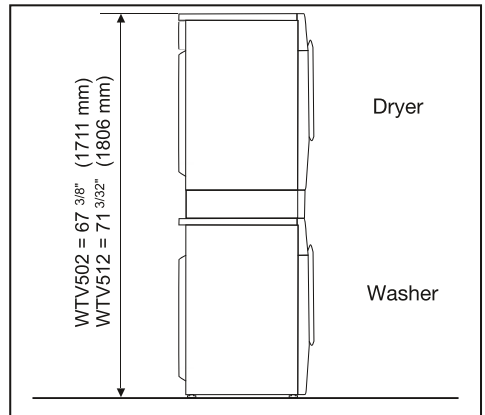
Dimensions



- Ⓜ 5.2 ft (1.6 m) drain hose, detachable, top right on the rear
- ⓔ 6.5 ft (2 m) power cord, bottom right on the rear

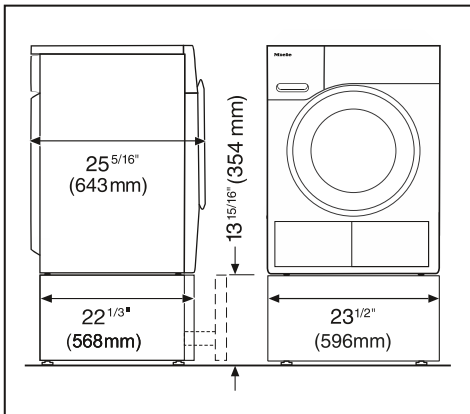
Washer-dryer stack

– WTV502 or WTV512



Installation on a plinth

– WTS 510



Installation

Electrical connection

⚠ GROUNDING INSTRUCTIONS

The electrical safety of this dryer can only be guaranteed when continuity is complete between it and an effective grounding system. It is essential that this standard safety requirement is observed and regularly tested. If in any doubt, please have the electrical installation inspected by a qualified electrician. Miele cannot be held liable for the consequences of an inadequate grounding system. The electrical socket must be easily accessible so that the dryer can be disconnected from the electricity supply. **WARNING** – If the grounding conductor is connected incorrectly, this can result in electric shock. Contact a qualified electrician if you are unsure whether the appliance is properly grounded.

Do not change the plug: If it does not fit into the socket, you should have a proper outlet installed by a qualified electrician.

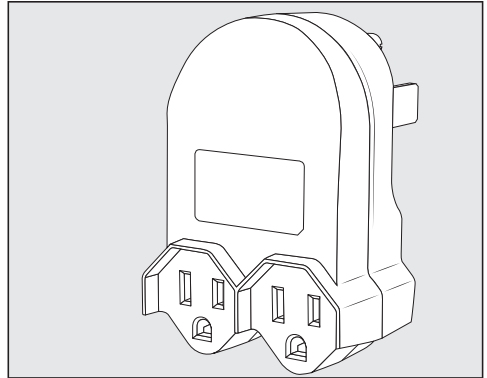
The dryer is equipped with a power cord 6' 7" (2 m) with plug. The dryer is connected to a NEMA 5-15 socket with an electrical connection of 120 V, 60 Hz, 15 A.

Connection adapter for NEMA 14-30 socket

⚠ If a NEMA 14-30 socket is provided on-site for the dryer, the Miele connection adapter* can be used.

Observe the following description to avoid damage to the dryer.

Tip: You can order the connection adapter directly from Miele (USA or CDN).



- The connection adapter has a NEMA 14-30 plug and two NEMA 5-15 socket-side connectors. The dryer and washing machine can therefore be connected to the 120 V / 60 Hz electricity supply.
- The connection adapter is equipped with two 15 A fuses which protect both the connected appliances and the connection adapter.

External draining of condensed water


Note

When drying is in progress, condensed water is pumped into the condensed water container through the drain hose which is located at the back of the dryer.

The condensed water can also be externally drained away via the drain hose on the back of the dryer. This means that the condensed water container no longer has to be emptied.

Drain hose length: 5.2 ft (1.6 m)
Maximum delivery head: 4.9 ft (1.5 m)
Maximum drain hose length: 13 ft (4 m)

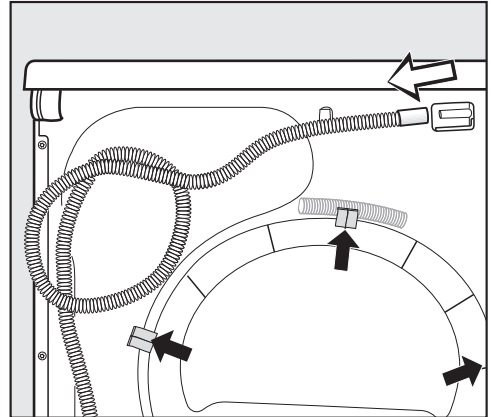
Arranging the drain hose

 Damage to the drain hose through incorrect handling.

The drain hose can suffer damage and leak.

Do not pull on the drain hose and do not stretch it or allow it to become kinked.

There will be a small amount of residual water left in the drain hose. Have a container ready to collect this.




- Pull the drain hose off its connection (light arrow).
- Pull the hose out of the holders (dark arrow) and unwind it.
- Allow any residual water to run into a container.

Condensate drain

The drain hose on the back of the dryer can be inserted into the stand pipe.

- Attach the end of the hose to the stand pipe.

 Secure the drain hose carefully (e.g., by tying it) to make sure it cannot slip.

Overflowing water can cause damage.

Installation

Changing the door hinging

You can change the door hinging on this tumble dryer yourself.

For safety reasons, the tumble dryer must be disconnected from the electricity supply before changing the door hinging.

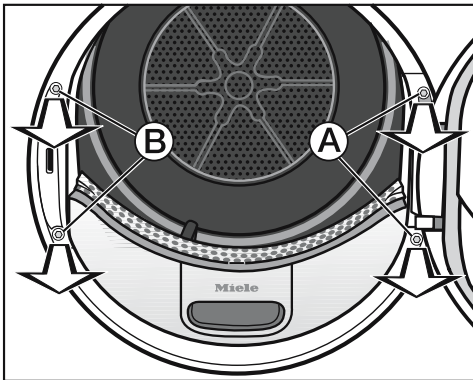
You will need:

- a Torx T20 and T30 screwdriver
- a flat head screwdriver or pointed pliers
- the lock catch cover supplied
- the door hinge cover supplied
- a soft surface (e.g., a blanket)

Changing the hinging over

1. Remove the door from the tumble dryer

- Open the door.



- Use a T30 Torx screwdriver to unscrew the two screws on the base plate of the door hinge (A).

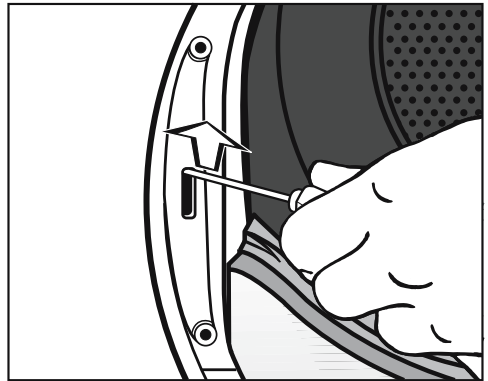
The door cannot fall off.

- Hold the door securely and pull it forwards: to remove the door you will need to pull the base plate of the hinge with its 2 pins out of the dryer.

⚠ To avoid scratching the door, place it outer side downwards on a soft surface (e.g., a blanket).

2. Change over the door lock on the dryer

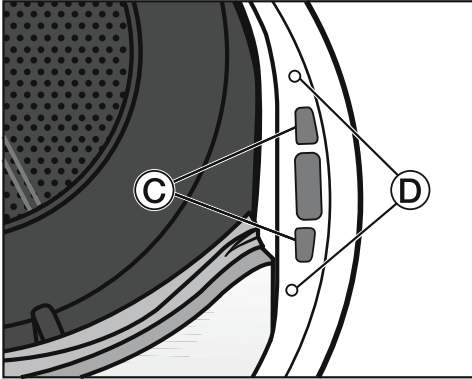
- Use a Torx T30 screwdriver to unscrew the two screws on the door lock (B).



- Use the screwdriver to press the door lock upwards.

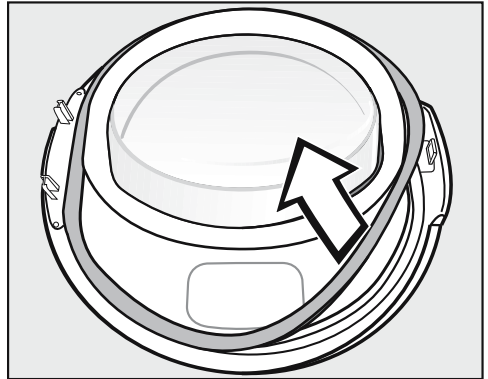
The door lock will spring out of its position and can then be removed.

- Turn the door lock by 180°.

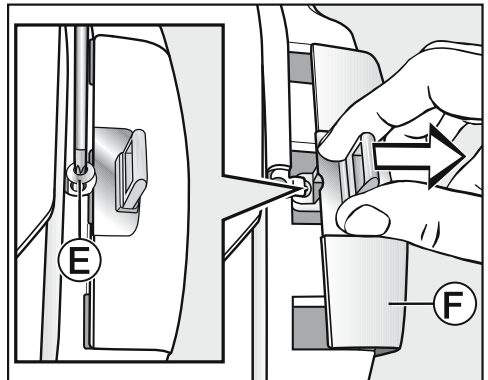


- Press the door lock into the openings ③ on the opposite side of the door opening.
- Adjust the position of the door lock so that the screw holes line up with those in the front panel of the dryer ④.
- Screw in both Torx screws in order to secure the door lock.

3. Remove the lock catch from the door

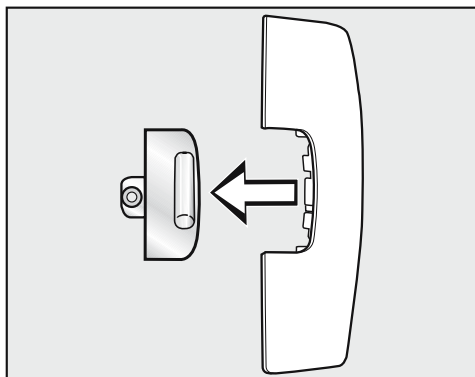


- First take the rubber seal off the door and place this to one side.



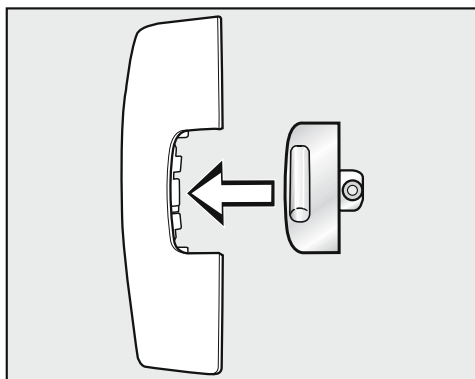
- Use a T20 Torx screwdriver to remove screw ⑤ on the lock catch.
- Pull off the lock catch together with the lock catch cover ⑥.

Installation



- Remove the lock catch from the cover.

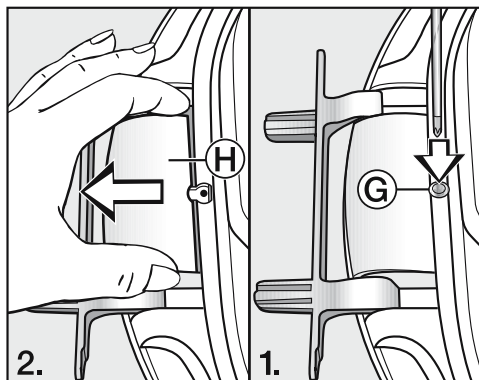
This lock catch cover is no longer needed.



- Insert the lock catch into the new cover supplied with the dryer.
- Place this new lock catch cover to one side for now.

4. Dismantle the door hinge from the door

The door hinge cover must be unclipped from position ③ and then removed.

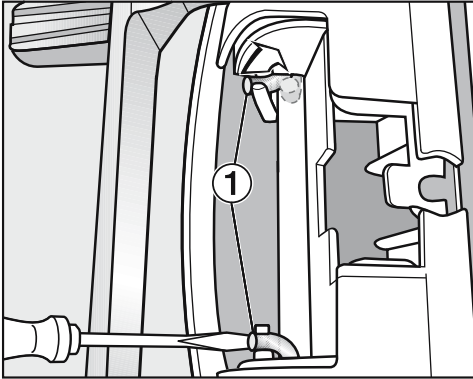


- Use a screwdriver to press down gently on position ③ on the door hinge cover.
- Using a little force, pull out door hinge cover ④.

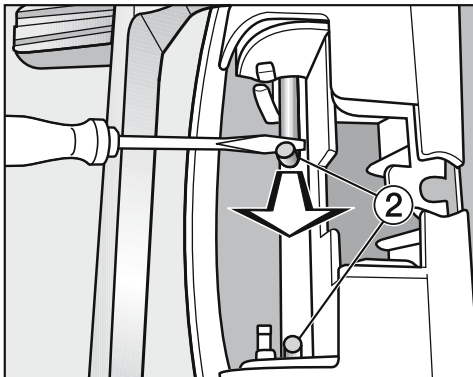
This lock catch cover is no longer needed.

5. Change the door hinge on the door

The door hinge is secured to the door with 2 angled rods. These rods need to be removed with a screwdriver or pointed pliers.



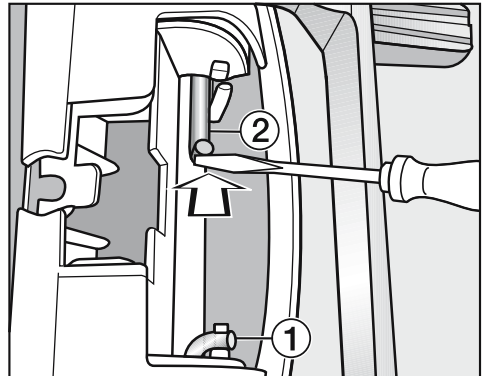
- Insert the end of the screwdriver blade under rod ① and rotate it so it is in an upright position. Do the same to the other rod.



- Use the screwdriver or pointed pliers to guide first one then the other rod ② to the middle until each can be removed.


Tip: In some circumstances, the rods can be difficult to dislodge. Moving the screwdriver with a levering action while pulling at the same time may help to work the rods free.

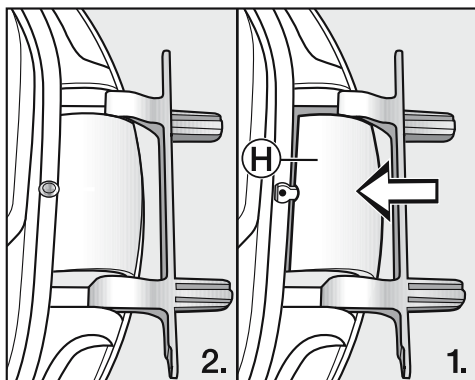
- Remove the door hinge and turn it by 180°.
- Refit the door hinge on the opposite side of the door.



- Secure the door hinge with the two rods ②.
- Position the screwdriver under the end of the rod and then push it into its resting position ①.


Installation

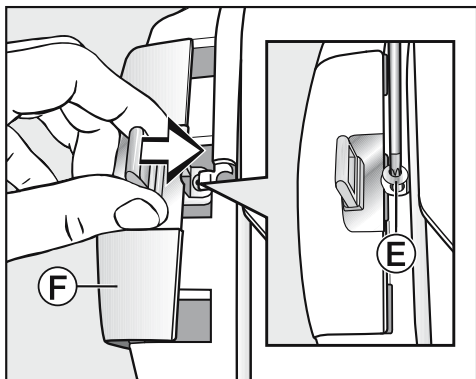
 You now need the new door hinge cover supplied with the dryer.



- Fit new door hinge cover **H** and clip it into position.

6. Change the lock catch on the door

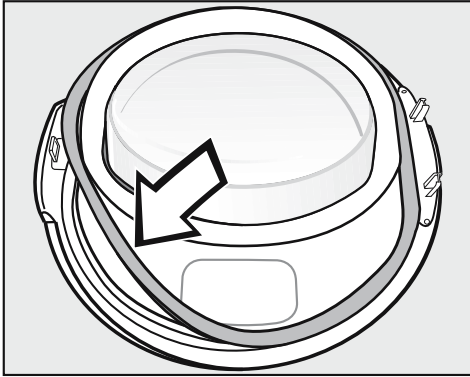
 You now need the new lock catch cover supplied with the dryer which you have already fitted with the lock catch.



- Push the lock catch cover **F** with its lock catch into position.
- Tighten the screw **E**.

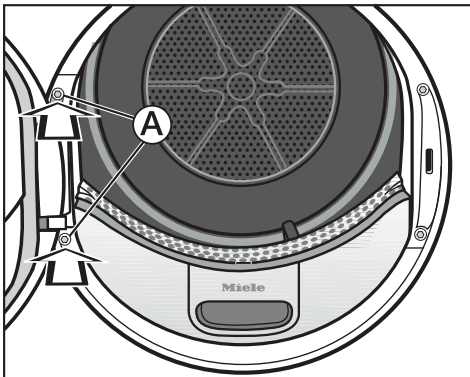
Refitting

7. Refit the door




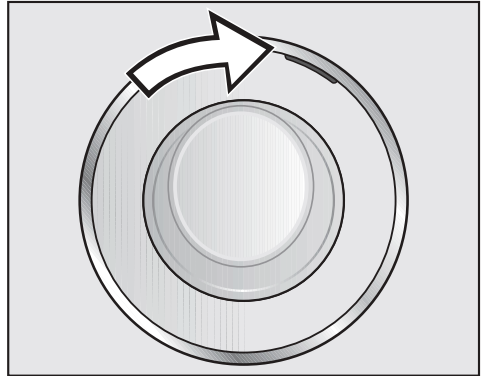
- Press the rubber seal back into the groove on the door.
- Position the door in front of the dryer.
- Fit the base of the door hinge with its 2 pins into the openings on the dryer.

The base of the door hinge must be flush with the front panel of the dryer. The door cannot fall off in this position.




- Screw the door securely to the dryer at the base of door hinge (A).

 Now that you have changed the door hinging, the door will open from the opposite side.



- Push the orange marker round to the other side so that you will see at which side to pull the door open.

 Please keep the lock catch and door hinge covers which were no longer needed in a safe place. These will be required if you choose to change the door hinging back to its original position.

Technical data

Height	33 7/16" (850 mm)
Width	23 7/16" (596 mm)
Depth	25 5/16" (643 mm)
Depth with door open	42 3/8" (1077 mm)
Slot-in	Yes
Stackable	Yes
Weight	Approx. 137 lbs (62 kg)
Drum volume	31.7 gal (120 l)
Load quantity	17.6 lb (8 kg) dry laundry
Capacity of condensed water container	1.27 gal (4.8 l)
Hose length	63" (1.60 m)
Maximum head height	59" (1.50 m)
Maximum drain hose length	157 1/2" (4 m)
Length of wiring	78 3/4" (2 m)
Connection voltage	See data plate
Power rating	See data plate
Fuse	See data plate
Test certificates awarded	See data plate
LEDs	Class 1
Frequency band	2.4000 GHz – 2.4835 GHz
Maximum transmitting power	< 100 mW

Accessing settings

You can alter the tumble dryer's electronics to suit your needs with the settings. The settings can be altered at any time.

- Turn the program selector to *More programs*/⚙️.



- Touch the ^ sensor button once.

The following appears in the display:



- Confirm with the OK sensor button.



You are now in the *Settings* submenu.

Selecting settings

- Touch the v or ^ sensor button until the setting you want appears in the display.
 - The v sensor button scrolls down the list.
 - The ^ sensor button scrolls up the list.
- Touch the OK sensor button to select the setting displayed.

Changing a setting

- Touching the v or ^ sensor button will call up the different options for the setting.

For example, you can

- select a value (if the option is marked with ✓, it is active),
- change a bar chart,
- change numbers.
- When the option you want appears in the display, touch the OK sensor button to activate it.


Closing the Settings menu

- Turn the program selector.

Settings

Language

The display can be set to appear in one of several different languages.




The flag  after the word Language acts as a guide to prevent a language which will not be understood from being set.

The language selected is saved to memory.

Drying levels

You can alter the drying levels for the *Cottons* and *Wrinkle-free* programs.

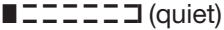


Options

-  (damper)
The program duration is shorter
-  (default setting)
-  (drier)
The program duration is longer

Welcome tone

The volume of the switch-on buzzer can be changed.



Options

- Off
-  (quiet)
-  (default setting)
-  (loud)

Keypad tone

When this setting is activated, a signal tone will sound each time a sensor button is touched.

Options




- Off (default setting)
-  (quiet)
-  (loud)

In the case of a selection that is not allowed, a negative signal tone sounds.

Buzzer volume



The buzzer sounds to let you know the program has finished. The buzzer can be set to be louder or quieter.

Options

-  (quiet)
-  (default setting)
-  (loud)

Airway indicator

Lint should be removed after drying. In addition, this indicator will remind you to clean the filters when a certain amount of lint has collected in them:



 Clean plinth filter. See 

You can decide at what level of lint this reminder should be given.

Options

You will have an idea of how often this should be done after a few drying programs.

– Off

This reminder indicator does not appear. However, if there is a very severe blockage in the ducting, the program will be canceled and the  Clean plinth filter. See  message will appear in the display regardless of this option.

– Heavy

The indicator only appears when there is a heavy build-up of lint.


– Normal (default setting)

– Light

The indicator appears when there is only a small build-up of lint.

Conductivity

This setting is only relevant for regions with very low water hardness.

 You should only select this setting if the water used for washing the laundry is extremely soft with a conductivity reading (electrical conductivity) less than 150 $\mu\text{S}/\text{cm}$. Contact your local water supplier for the conductivity level of your mains water supply. Otherwise drying results can be unsatisfactory.

Options

– Normal (default setting)

– Low < 150 μS (only for regions with very low water hardness)


Settings

Code

The PIN code prevents your dryer being used without your knowledge.

Options

- Activate
The code is 250 and can be activated.
When the PIN code has been activated, you have to enter a code after switching the dryer on. Otherwise the dryer cannot be operated.
- Deactivate
For using the dryer without entering the code. This only appears if the PIN code has been activated previously.
- Change
You can enter a code of your own.

 Important! Make a note of the new PIN code. If you forget the code, the dryer will need to be unlocked by Miele Technical Service.

Brightness

The display and the sensor button lighting is switched off to save energy. The *Start/Stop* sensor button flashes slowly.

Options

Display

Controls the brightness of the display.

- ■ □ □ □ □ □ □ □ (dark)
- ■ ■ ■ ■ ■ ■ ■ ■ (light) (default setting)

Buttons active

Controls the brightness of the activated sensor buttons.

- ■ □ □ □ □ □ □ □ (dark)
- ■ ■ ■ ■ ■ □ □ □ (default setting)
- ■ ■ ■ ■ ■ ■ ■ ■ (light)

Buttons inactive

Controls the brightness of the sensor buttons that can be activated.

- ■ □ □ □ □ □ □ □ (dark) (default setting)
- ■ ■ ■ ■ ■ ■ ■ ■ (light)

Tip: Ensure that there is a big difference in brightness between the activated and dimmed sensor buttons. This makes it easier to operate the dryer.

Display switch-off

To save energy the display and sensor buttons will go out after 10 minutes and the *Start/Stop* button will flash slowly. You can alter this setting.

Options

- On (default setting)
The display will go out (after 10 minutes):
 - if a program is not selected after the dryer has been switched on,
 - during the current program,
 - at the end of a program.
- On (not in current program)
The display will go out (as described above) but will remain on while the program is running.
- Off
The display will remain on (i.e., it will never go out).

You can switch the display back on by touching any sensor button.

Memory

The dryer saves the settings that were selected last for a drying program (drying stage and/or extra option, or the duration for some programs).

When the program is chosen again, the saved settings will appear in the display.

Options

- Off (default setting)
- On

The activation of the delay start, the buzzer, or the ECO feedback data are not saved.

Anti-Crease

After the drying cycle has finished, the drum will continue to rotate in a special Anti-crease rhythm. This helps to prevent creasing if the laundry is not removed immediately after the end of a program.

Options

- 1 h
- 2 h (default setting)

Program info

The program names and maximum load, which are lit in the display when the program is selected with the program selector, can be switched off.

Options

- Off (program name and load are not displayed)
- Program name (the load is not displayed)
- Program name and max. load (both are displayed, default setting)

Settings

Miele@home

Control the networking of your dryer with your WiFi network.

The following points may appear in the submenu:

Set up

This message only appears if the dryer has not yet been connected to a WiFi network.

Please refer to “Initial commissioning” to set up the connection.

Deactivate (visible if Miele@home is activated)

Miele@home remains set up, the WiFi function is switched off.

Activate (visible if Miele@home is deactivated)

The WiFi function is reactivated.

Connection status (visible if Miele@home is activated)

The following values are displayed:

- The quality of WiFi reception
- The network name
- The IP address

Set up again (visible if set up)

Resets the WiFi login (network) to immediately re-establish a new connection.

Reset (visible if set up)

- The WiFi is switched off.
- The WiFi connection will be reset to the default setting.

Miele@home is no longer set up. A new connection setup has to be carried out in order to use the Miele@home setting again.

Remote control

The Remote control setting is only visible if the Miele@home setting is set up and activated.

Once the Miele@mobile app has been installed on your mobile device, you can check the status of your tumble dryer from anywhere and start it remotely. You can also control it remotely via the *MobileControl* program.

You can switch off the Remote control setting if you do not want to operate the dryer with your mobile device.

If Remote control is not switched on, the app can cause the program to be canceled.

Use the “delay start” button to set a time until you start the dryer and start the delay start (see “Delay start/ SmartStart”). The tumble dryer will then start within the timeframe specified when it receives your signal. If it has not received a start signal from the energy supplier by the latest start time set, the tumble dryer will start automatically.

Remote control is switched on by default.

SmartGrid

The Remote control setting is only visible if the Miele@home setting is set up and activated.

This function can be used for starting your tumble dryer automatically at a time when your energy costs are most economical.

Activating SmartGrid, gives the *delay start* button a new function. You set the SmartGrid via the “delay start” button. The tumble dryer will then start within the timeframe specified when it receives a signal from the energy supplier. If it has not received a signal from the energy supplier by the latest start time set, the tumble dryer will start automatically (see “Delay start”). Please check with your local utility provider for availability.

The SmartGrid function is switched off by default.

Please have the model and serial number of your appliance available when contacting Technical Service.

The Miele logo consists of the word "Miele" in a bold, white, serif font, set against a solid black rectangular background.

U.S.A.

Miele, Inc.

National Headquarters

9 Independence Way
Princeton, NJ 08540
Phone: 800-843-7231
Fax: 609-419-4298
www.mieleusa.com

Technical Service & Support

Phone: 800-999-1360
Fax: 888-586-8056
TechnicalService@mieleusa.com

International Headquarters

Miele & Cie. KG
Carl-Miele-Straße 29
33332 Gütersloh
Germany

Canada

Importer
Miele Limited

Headquarters and Miele Centre

161 Four Valley Drive
Vaughan, ON L4K 4V8
www.miele.ca

Customer Care Centre

Phone: 800-565-6435
905-532-2272
customercare@miele.ca

TWI 180 WP

en-US

M.-Nr. 10 671 370 / 06