

24" Under Counter Wine Storage System

KWT 6322 UG



Under Counter Wine Storage Unit

KWT 6322 UG



KWT 6322 UG

Features:

- Built-under unit
- Tinted tempered glass door
- Push2open door
- SoftClose door
- Right hinged, convertible
- DynaCool
- Room for up to 34 bottles
- Dual temperature zones
- TouchControl panel
- LED lighting
- Active AirClean filter
- Low vibration compressor
- FlexiFrame with NoteBoard
- Side-by-Side combination available

SPECIFICATIONS

KWT 6322 UG — Item 36632200USA

Overall Unit Width	23 ⁷ / ₁₆ " (596mm)
Overall Unit Height	32 ¹ / ₄ " — 34 ¹ / ₄ " (819 — 870mm)
Overall Unit Depth	22 ¹ / ₂ " (571mm)
Door Clearance	23 ⁷ / ₁₆ " (596mm)

Niche

Minimum Cabinet Opening Width	23 ⁵ / ₈ " (600mm)
Minimum Cabinet Opening Height	32 ⁵ / ₁₆ " (820mm)
Minimum Cabinet Opening Depth	24" (610mm)

Interior Volume

Wine Cooling Volume	3.3 cu-ft (94 L)
Bottle Capacity Based on Bordeaux Bottles	34 Bottles

Operational Altitudes

High Altitude	Miele Undercounter Wine will function up to 4900 ft (1500 m) in altitude. At altitudes above 4900 ft (1500 m) there is a risk of the glass door breaking due to changed air pressure conditions.
---------------	--

Electrical

Electrical Requirements	110V / 120V, 60Hz, 15 Amps (single) 110V / 120V , 60Hz, 20Amp (side-by-side)
Power Cord	NEMA 5-15 plug, 6' 6 ³ / ₄ " (2m)

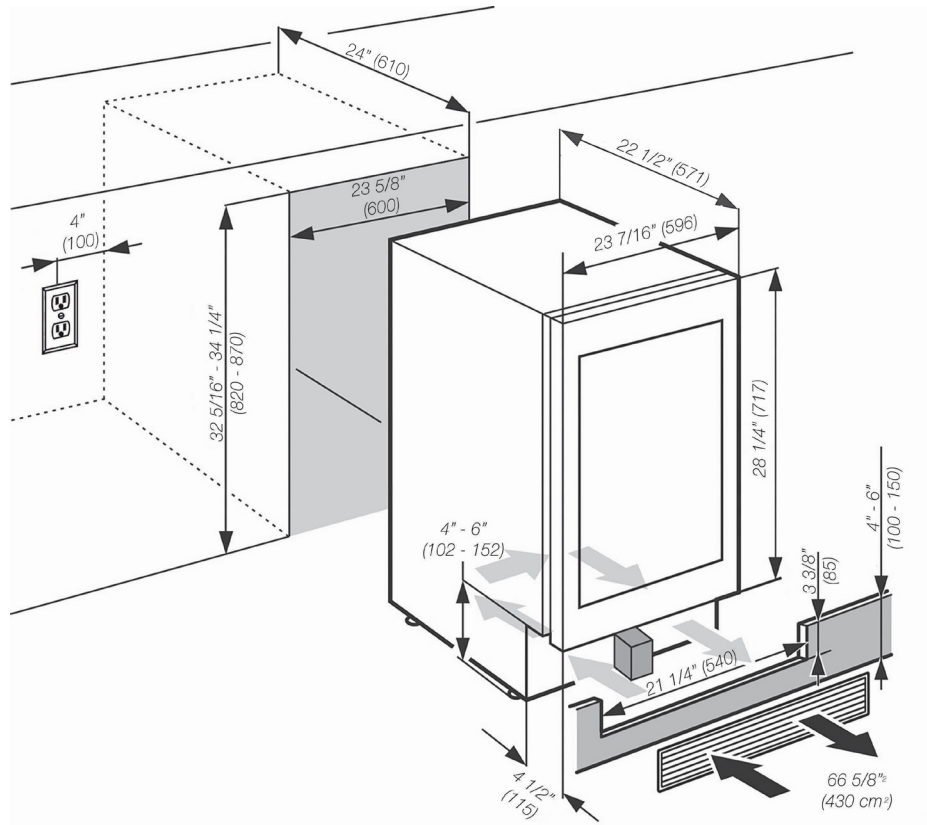
Shipping

Shipping Weight	116.8 lbs. (53 kg)
-----------------	--------------------

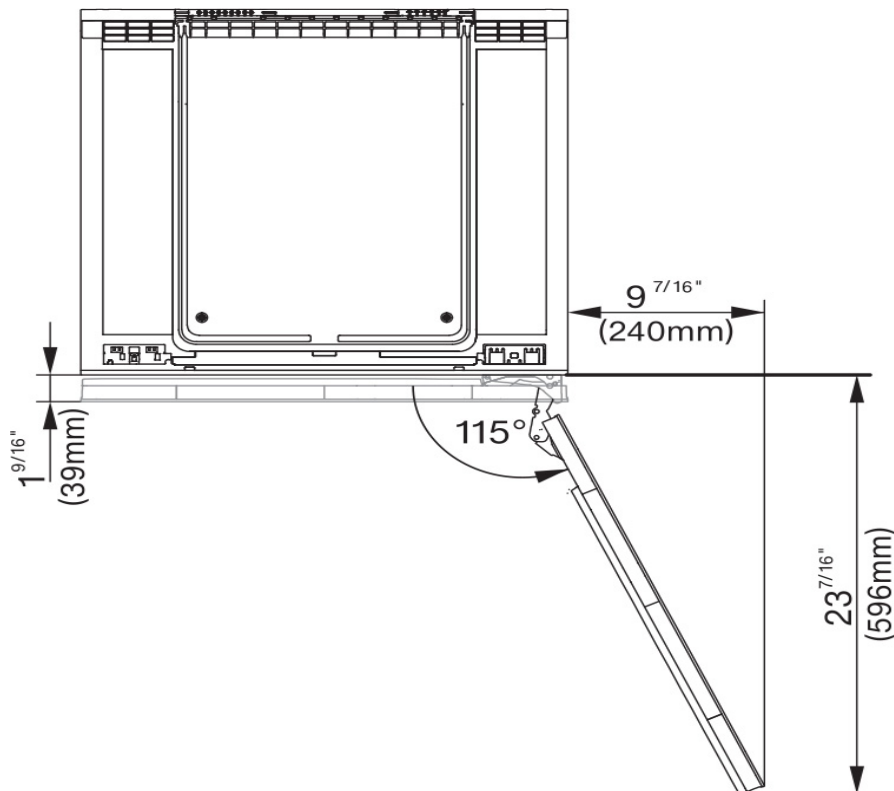
Support

Call Miele	800.843.7231
Miele Website	🌐www.mieleusa.com
20/20 Link	🌐2020technologies.com

Installation Dimension



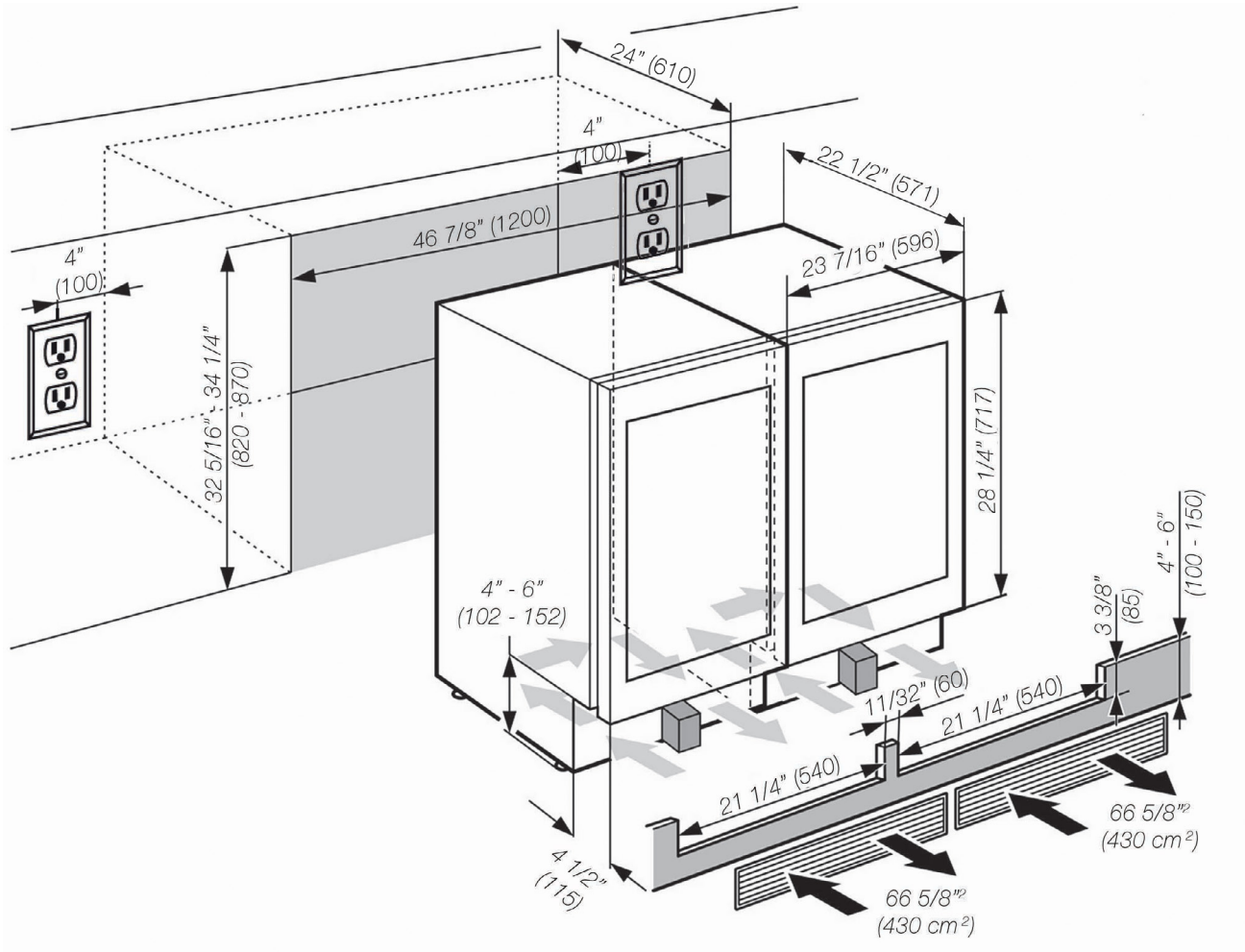
Top View



Under Counter Wine Storage Unit KWT 6322 UG



Installation Dimension Side-by-side Combination



Note: Merging kit KSK6300 is need for side-by-side combination