

## Operating and Installation Instructions Fridge-freezer Combination



To prevent accidents and machine damage, read these instructions **before** installation or use.

# Contents

---

<b>IMPORTANT SAFETY INSTRUCTIONS</b> .....	5
<b>Caring for the environment</b> .....	13
<b>Saving energy</b> .....	14
<b>Guide to the appliance</b> .....	16
Control panel .....	16
Display LEDs and symbols on the display .....	17
<b>Accessories</b> .....	20
Accessories supplied .....	20
Optional accessories .....	21
<b>Before first use</b> .....	22
Cleaning the refrigerator .....	22
<b>Switching on and off</b> .....	23
Operating the machine .....	23
Switching on the refrigerator .....	23
Switching off the entire appliance .....	24
Turning off for longer periods of time .....	24
<b>The correct temperature</b> .....	25
... in the refrigerator section .....	25
Automatic cold air circulation (DynaCool) .....	25
... in the Freezer Zone .....	25
Temperature display .....	26
Setting the temperature .....	26
Temperature range .....	26
<b>Using Automatic SuperCool and SuperFreeze</b> .....	27
SuperFrost function ❄ .....	27
Automatic SuperCool function ❄ .....	27
Turning a function on or off .....	28
<b>Temperature and door alarm</b> .....	29
Temperature alarm .....	29
Door alarm .....	29
<b>Selecting additional settings</b> .....	30
Selecting additional settings .....	30
Settings overview .....	30
Sabbath mode .....	30
Changing the temperature unit (°F/°C) .....	32
Activating and deactivating the safety lock .....	32

---

Changing the size of the ice cubes .....	33
<b>Storing food in the refrigerator section</b> .....	34
Different storage zones .....	34
Food which is not suitable for storage in the refrigerator section .....	35
Notes on buying food .....	36
Storing food correctly .....	36
Fruit and vegetables .....	36
Protein-rich food .....	36
<b>Adjusting the interior fittings (refrigerator section)</b> .....	37
Moving the adjustable shelves .....	37
Adjusting the bottle rack .....	37
Removing fruit and vegetable drawers on rollers .....	38
Adjusting the door shelf/bottle shelf .....	38
Adjusting the bottle holder .....	39
Moving the carbon filter .....	39
<b>Freezing and storing food</b> .....	40
Maximum freezing capacity .....	40
What happens when you freeze fresh food? .....	40
Storing frozen food .....	40
Home freezing .....	41
Adjusting the interior fittings .....	44
Using accessories .....	44
<b>Making ice cubes</b> .....	45
Turning on the ice cube maker .....	45
Making a large quantity of ice cubes .....	46
Changing the size of the ice cubes .....	46
Turning off the ice cube maker .....	47
If the Ice Maker is going to be turned off for a long period of time .....	47
<b>Defrosting</b> .....	48
<b>Cleaning and care</b> .....	49
Cleaning agents .....	49
Preparing the machine for cleaning .....	50
Cleaning the interior and accessories .....	51
Cleaning the machine front and the side panels .....	52
Cleaning the door seal .....	52
Starting up the appliance after cleaning .....	53
Replacing the carbon filters .....	53
<b>Frequently Asked Questions</b> .....	55

# Contents

---

<b>Causes of noises</b> .....	65
<b>Technical Service</b> .....	66
Contact in case of fault .....	66
Warranty .....	66
<b>Water connection</b> .....	67
Information on the fresh water connection .....	67
Connecting the water supply line .....	68
<b>Electrical connection</b> .....	70
<b>Installation</b> .....	72
Side-by-side installation.....	72
Installation location .....	72
Climate class .....	73
Ventilation .....	73
Installing the appliance.....	73
Wall gap.....	73
Fitting the anti-tip device.....	74
Aligning the machine .....	75
Installing the appliance in a run of kitchen units .....	76
Appliance dimensions .....	77
<b>Changing the door hinges</b> .....	79
<b>Aligning the machine doors</b> .....	91

## IMPORTANT SAFETY INSTRUCTIONS

This appliance complies with all statutory safety requirements. Please note that inappropriate use can lead to personal injury and damage to property.

To avoid the risk of accidents and damage to the appliance, please read these instructions carefully before using it for the first time. They contain important notes on installation, safety, use and maintenance.

Miele cannot be held liable for non-compliance with these instructions.

Keep these instructions in a safe place and ensure that new users are familiar with the contents. Pass them on to any future owner.

### Danger of injury!

Due to the sheer size and weight of the appliance, it needs to be ensured that it cannot tip forward when the door is open and fully stocked.

Set up the appliance with the supplied anti-tip devices in accordance with the operating and installation instructions.

### **Appropriate use**

► This appliance is intended for use in the home and similar environments.

This appliance is not intended for use outdoors, in damp environments or in places exposed to rain.

► This appliance is intended for domestic use only for cooling and storing food and drink as well as for storing deep frozen food, freezing fresh food and for making ice.

Any other usage is not supported by the manufacturer and could be dangerous.

## IMPORTANT SAFETY INSTRUCTIONS

---

▶ This appliance is not suitable for storing and keeping cool medicines, blood plasma, laboratory preparations or other such materials or products. Incorrect use of the appliance for such purposes can cause deterioration of the items stored. The appliance is not suitable for use in areas where there is a risk of explosion. Miele cannot be held liable for damage resulting from improper or incorrect use of the appliance.

▶ Persons (including children) which lack physical, sensory or mental abilities or experience with the machine should not use it without supervision or instruction by a responsible person.

### **Safety with children**

▶ To reduce the risk of injury, do not allow children to play in, on or near the appliance.

▶ Ensure that any packing material is disposed of safely and kept out of the reach of children. **DANGER** of suffocation!

# IMPORTANT SAFETY INSTRUCTIONS

## Technical safety

▶ The refrigerant system is tested for leaks. This appliance complies with statutory safety requirements.

▶ This appliance contains the refrigerant Isobutane (R600a), a natural gas which is environmentally friendly. Although it is combustible, it does not damage the ozone layer and does not increase the greenhouse effect.

The use of this refrigerant has, however, led to a slight increase in the noise level of the appliance. In addition to the noise of the compressor, you might be able to hear the refrigerant flowing around the system. This is unavoidable, and does not have any adverse effect on the performance of the appliance.

Care must be taken during the transportation and setting up of the appliance that no parts of the cooling system are damaged. Leaking refrigerant can cause severe irritation to the eyes.

In the event of any damage:

- avoid open flames and anything that creates a spark,
- disconnect the appliance from the electrical power supply,
- ventilate the room where the appliance is located for several minutes, and
- contact Miele Technical Service.

▶ The more coolant there is in an appliance, the larger the room it should be installed in. In the event of a leakage, if the appliance is in a small room, there is the danger of combustible gases building up. For every 11 g of coolant at least 1 m<sup>3</sup> of room space is required. The amount of coolant in the appliance is stated on the data plate inside the appliance.

▶ To avoid the risk of damage to the appliance, make sure that the connection data (fuse rating, frequency and voltage) on the data plate corresponds to the household supply.

Check that this is the case before connecting the appliance. Consult a qualified electrician if in any doubt.

## IMPORTANT SAFETY INSTRUCTIONS

---

- ▶ The electrical safety of the appliance can only be guaranteed when correctly grounded. It is essential that this standard safety requirement is met. If in any doubt please have the electrical installation tested by a qualified electrician.
- ▶ Reliable and safe operation of this appliance can only be assured if it has been connected to the electricity supply.
- ▶ If the power cord is damaged, it must be replaced by a Miele authorized technician in order to protect the user from harm.
- ▶ Do not connect the appliance to the electrical supply with a power bar or extension cord. These are a fire hazard and do not guarantee the required safety of the appliance.
- ▶ If moisture gets into electrical components or into the power cord, it could cause a short circuit. Therefore, do not operate the machine in areas where there may be moisture or splashing water (e.g., garages, laundry rooms).
- ▶ This appliance must not be installed and operated in mobile installations (e.g. on a ship).
- ▶ Do not use a damaged appliance. It could be dangerous. Check the appliance for visible signs of damage.
- ▶ The machine must be disconnected from the power supply during installation, maintenance, and repair work, and installation work on the fresh water connection. The machine is only completely isolated from the power supply when:
  - the fuses have been switched off, or
  - the circuit breaker has been removed completely, or
  - the power cord has been unplugged. Pull on the plug and not on the power cord when disconnecting it from the power supply.



## IMPORTANT SAFETY INSTRUCTIONS

---

- ▶ Unauthorized installation, maintenance, and repairs, or a faulty fresh water connection can cause considerable danger for the user. Installation, maintenance, and repairs, installation work on the fresh water connection, and all repairs on the ice/water outlet must only ever be carried out by a Miele authorized technician.
- ▶ The ice cube maker must only be connected to a cold water line.
- ▶ Miele cannot be held liable for damage caused by a faulty connection to the fresh water supply.
- ▶ Any manufacturer's warranty will be void if the appliance is not repaired by a Miele approved service technician.
- ▶ Defective components should only be replaced by Miele original parts. Only with these parts can the manufacturer guarantee the safety of the appliance.

### Correct use

- ▶ The appliance is designed for use within a certain climate range (ambient temperatures), and should not be used outside this range. The climate range for your appliance is stated on the data plate inside the appliance. Installing it in a room with too low an ambient temperature, e.g. a garage, will lead to the appliance switching off for longer periods so that it cannot maintain the required temperature.
- ▶ **WARNING! DANGER of overheating!** Do not cover or block the air vents. This can impair the efficiency of the appliance, increase the power consumption and cause damage to the appliance.
- ▶ If storing food which contains a lot of fat or oil in the appliance, make sure that it does not come into contact with plastic components as this could cause stress cracks or break the plastic.
- ▶ Do not store explosive materials in the appliance or any products containing propellants (e.g. spray cans). Electrical components could cause flammable vapors to ignite.  
**DANGER of fire and explosion.**

## IMPORTANT SAFETY INSTRUCTIONS

---

▶ Do not operate any electrical equipment (e.g. an electric ice cream maker) inside the appliance.

DANGER of sparking and explosion.

▶ Do not store cans or bottles containing carbonated drinks or liquids which could freeze in the freezer section. The cans or bottles could burst, causing injury or damage.

▶ Never handle frozen food or the metal parts of the appliance with wet hands. Your hands may freeze to the frozen food or to the metal. DANGER of frost burn!

▶ Do not take ice cubes out with your bare hands and never place ice cubes or popsicles in your mouth straight from the freezer section. The very low temperature of the frozen ice or popsicles can cause frost burn to the lips and tongue. DANGER of injury.

▶ Do not refreeze partially or fully defrosted food. Consume defrosted food as soon as possible, as it will lose its nutritional value and spoil if left for too long. Defrosted food may only be refrozen after it has been cooked.

▶ When eating stored food, there is a danger of food poisoning. Storage times will depend on several factors, including the freshness and quality of the food, as well as the temperature at which it is stored. Observe the manufacturer's "use-by" dates and storage instructions.

▶ Use only genuine original Miele parts. If parts or accessories from other manufacturers are used, the warranty may become invalid.

### **Stainless steel machines:**

▶ Adhesives will damage the coated stainless steel surface and cause it to lose its dirt-repellent protective coating. Do not use sticky notes, transparent adhesive tape, masking tape, or other types of adhesive on the stainless steel surface.

▶ The surface is easily scratched. Even magnets can cause scratching.

# IMPORTANT SAFETY INSTRUCTIONS

---

## **Cleaning and maintenance**

- ▶ Do not use any oil or grease on the door seals. They can cause the seals to deteriorate over time.
- ▶ Never use a steam cleaner to clean the appliance. The steam can reach the electrical components and cause a short circuit.
- ▶ Sharp edged or pointed objects will damage the evaporator, causing irreversible damage to the appliance. Do not use sharp edged or pointed objects to
  - remove frost or ice,
  - separate frozen foods or remove ice trays.
- ▶ Never place electric heaters or candles in the appliance to defrost it. These can damage the plastic parts.
- ▶ Do not use defrosting sprays or de-icers, as they could contain substances which could damage the plastic parts or which might cause the build-up of gases and pose a danger to health.

## **Transport**

- ▶ To avoid damage to the appliance, always transport it upright and in its packaging.
- ▶ **DANGER** of injury and damage. The appliance is very heavy and must be transported by two people.

## **Disposal of your old appliance**

- ▶ Children could become trapped in the machine and could suffocate.
  - Remove the machine doors.
  - Remove the drawers.
  - Leave the adjustable shelves in the machine so children cannot climb inside.

# IMPORTANT SAFETY INSTRUCTIONS

---

▶ **DANGER** of electric shock!

- Cut the plug off the power cord.
- Cut the power cord off the old appliance.

▶ Dispose of them separately from the appliance.

▶ Ensure that the appliance is not stored in the vicinity of gasoline or inflammable gases and liquids during and after disposal.

▶ Make sure that the coolant pipework is not damaged during disposal to avoid uncontrolled leakage of oil and coolant (see data plate for coolant type).

▶ Splashes of coolant can cause damage to the eyes. Be careful not to damage any part of the pipework while awaiting disposal, e.g. by

- puncturing the coolant channels in the evaporator,
- kinking any pipework,
- scratching the surface coating.

**Symbol on the compressor (depending on model)**

This information is only relevant for recycling. There is no risk during normal operation.



▶ The oil in the compressor can be fatal if swallowed or if it penetrates the airways.

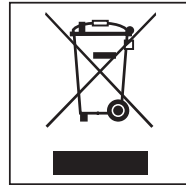
### Disposal of packaging material

The packaging is designed to protect the appliance from damage during transportation. The packaging materials used are selected from materials which are environmentally friendly for disposal and should be recycled.

Ensure that any plastic wrappings, bags, etc. are disposed of safely and kept out of the reach of children. Return the packaging to your dealer.

### Disposal of your old appliance

Electrical and electronic appliances contain valuable materials. They also contain certain substances, compounds and components which were essential for the proper functioning and safe use of the equipment. Handling these materials improperly by disposing of them in your household waste can be harmful to your health and the environment. Therefore, please do not dispose of your old appliance with regular household waste and follow local regulations on proper disposal.



Consult with local authorities, dealers or Miele in order to dispose of and recycle electrical and electronic appliances. Miele assumes no responsibility for deleting any personal data left on the appliance being disposed.

Take care not to damage the pipework at the back of your appliance before or during transportation to an authorized, environmentally friendly collection depot.

This way, coolant in the pipework and oil in the compressor will be contained, and will not leak into the environment.

Please ensure that your old appliance does not pose a danger to children while being stored prior to disposal. See "IMPORTANT SAFETY INSTRUCTIONS" for more information.

# Saving energy

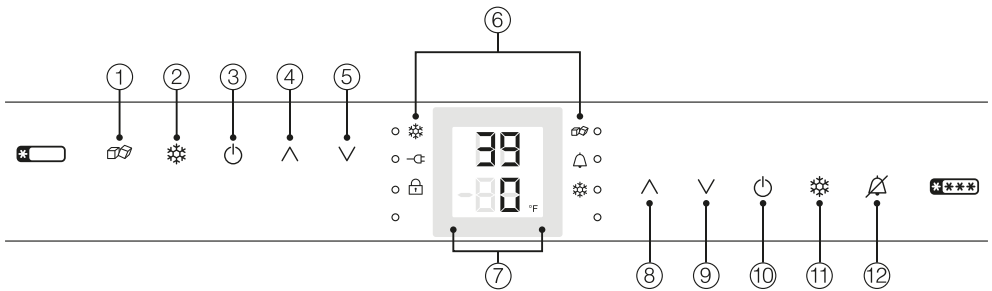
	<b>Normal energy consumption</b>	<b>Increased energy consumption</b>
<b>Installation/Maintenance</b>	In a well-ventilated room.	In an enclosed, poorly ventilated room.
	Protected from direct sunlight.	In direct sunlight.
	Away from heat sources (radiator, range/oven).	Near a heat source (radiator, oven).
	Where the ideal room temperature is approx. 68°F (20°C).	Where the ambient room temperature is above 77°F (25°C).
	Ventilation gaps unobstructed and dusted regularly.	Where the ventilation gaps are blocked and full of dust.
	Compressor and metal grill (heat exchanger) at the back of the appliance dusted at least once a year.	Dust build-up on the compressor and metal grill (heat exchanger).
	When the gap between the back of the appliance and the wall is at least 2 " (51 mm).	When the gap between the back of the appliance and the wall is less than 2 " (51 mm).
<b>Temperature setting</b>	39°F to 41°F (4°C to 5°C) in the refrigerator section	The lower the temperature in the appliance, the higher the energy consumption.
	0°F (-18°C) in the freezer section	

## Saving energy

	<b>Normal energy consumption</b>	<b>Increased energy consumption</b>
<b>Use</b>	The drawers, and shelves are arranged as they were when the appliance was delivered.	
	Only open the door when necessary and for as short a time as possible. Store food in an organized way.	Frequent opening of the door for long periods will cause a loss of coldness. The appliance will try to cool down and the compressor will run for longer periods.
	When shopping, use a cooler bag and place the food in the appliance as soon as possible. Replace any food removed as quickly as possible, before it warms up too much. Allow hot food and drinks to cool down before placing them in the appliance.	Hot food or food at room temperature raises the temperature inside the refrigeration appliance. The appliance will try to cool down and the compressor will run for longer periods.
	Store food well packaged or covered.	The evaporation or condensation of liquids in the refrigerator section will cause a loss of coldness.
	Place frozen food in the refrigerator section to defrost.	
	Do not overfill the appliance in order to allow the air to circulate.	Poor air circulation will cause a loss of coldness.

# Guide to the appliance

## Control panel



### Sensor buttons for the refrigerator section settings area

- ① For turning the ice cube maker on and off
- ② For turning the Automatic SuperCool function on and off
- ③ For turning the refrigerator section on and off
- ④ For setting the temperature (^ for warmer)
- ⑤ For setting the temperature (v for colder)

- ⑥ Display LEDs (see “Display LEDs” table for explanation)

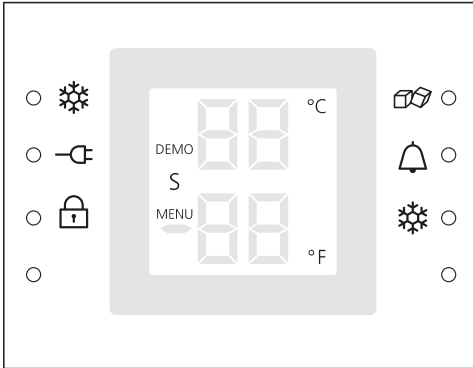
- ⑦ Display with temperatures and symbols (symbols only visible during use; see “Symbols on the display” table for explanation)

### Sensor buttons for the freezer section settings area

- ⑧ For setting the temperature (^ for warmer)
- ⑨ For setting the temperature (v for colder)
- ⑩ For turning the machine on and off
- ⑪ For turning the SuperFrost function on and off
- ⑫ For turning the door or temperature alarm off



## Display LEDs and symbols on the display

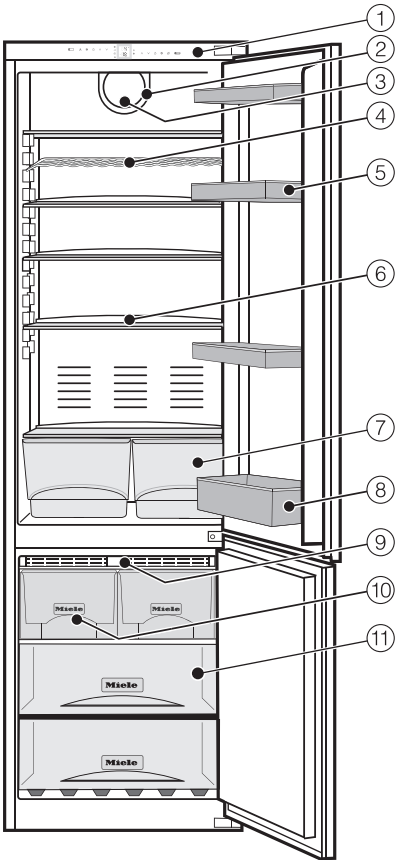


Display LED		Meaning
	Automatic SuperCool (left)/SuperFrost (right)	The function can be selected depending on the section (see “Using Automatic SuperCool and SuperFrost”).
	Power failure	Flashes in the event of a power failure
	Safety lock	Lock to stop the machine being turned off by mistake
	Ice cube maker	For turning the ice cube maker on and off and for setting the water quantity; flashes when there is an error message relating to the ice cube maker
	Alarm	Flashes when the door or temperature alarm is triggered

Information on the display		Meaning
DEMO	Demo mode	Demo mode has been activated (see “Frequently asked questions – Messages on the display”).
S	Sabbath mode	Turning Sabbath mode on and off
MENU	Settings mode	Lights up when settings are being adjusted
°F	Temperature unit	The default setting is °F; this can be switched to °C



# Guide to the appliance



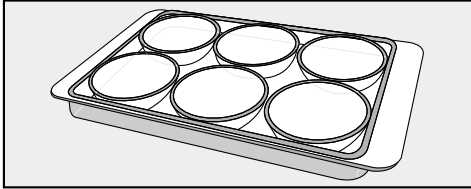
- ① Control panel with display
- ② Fan
- ③ Interior lighting
- ④ Bottle rack
- ⑤ Egg tray/door shelf
- ⑥ Adjustable shelf
- ⑦ Fruit and vegetable drawers
- ⑧ Bottle shelf with bottle holder
- ⑨ NoFrost module
- ⑩ Ice cube drawer with automatic ice cube maker
- ⑪ Freezer drawers

For easier installation, there are transport handles on the back at the top of the machine and transport wheels underneath.

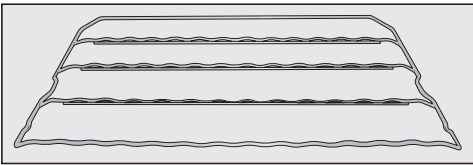
# Accessories

## Accessories supplied

### Egg tray



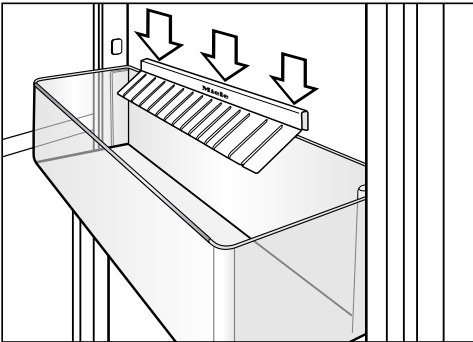
### Bottle rack



Bottles can be stored horizontally in the refrigerator section using the bottle rack to save space.

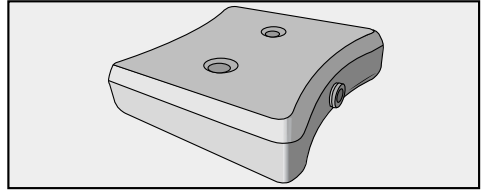
The bottle rack can be placed at different positions in the refrigerator section.

### Bottle holder



The non-slip fins of the bottle holder jut out into the bottle shelf and make bottles more secure when you open and close the appliance door.

### Cool pack



The cool pack prevents the temperature in the freezer rising too quickly in the event of a power outage. This can help prolong the storage time.

The cool pack will be at its most effective after it has been in the freezer for approx. 24 hours.

## Optional accessories

A range of useful Miele accessories and care products are available for your appliance.

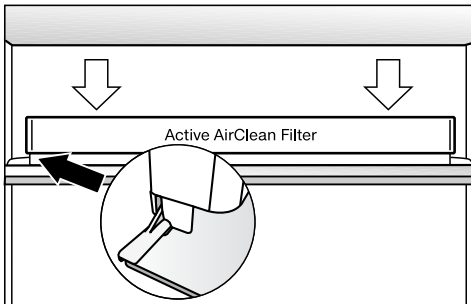
### **KKF-RF**

#### **Active AirClean replacement filters**

Replacement filters to fit the Active AirClean holder are available. We recommend replacing the carbon filters every 6 months.

#### **KKF-FF Active AirClean carbon filter with holder**

Carbon filters neutralize unpleasant odors in the refrigerator section for improved air quality.



The carbon filter holder clips onto the protective strip at the back of the shelf and can be moved as necessary.

Accessories are available to order via the Miele Webstore, from Miele directly (see back cover for contact details) or from your Miele dealer.

## Before first use

---

### Before first use

#### Packaging material

- Remove all packaging material from the inside of the appliance.

#### Removing the protective film

The stainless steel strips on the door shelves and adjustable shelves have a layer of protective film to prevent damage during transportation. The machine doors, and side panels where applicable, have a layer of protective film too.

- Do not remove the protective film until the machine has been installed in its final location.

### Cleaning the refrigerator

Please refer to the relevant instructions in “Cleaning and care”.

Important! Each time it is used, the Miele stainless steel conditioning agent forms a water-repellant and dirt-repellant protective coating.

- Treat the stainless steel strips and stainless steel frame inside the machine with the Miele stainless steel conditioning agent immediately after removing the protective film (see “Product description – Optional accessories”).
- Clean the inside of the appliance and the accessories.


## Operating the machine

A light touch of the finger on the sensor buttons is all that is required to operate this machine.

## Switching on the refrigerator


The Freezer Zone and the Fridge Zone can be switched on at the same time using the two On/Off buttons.

To enable the temperature to get sufficiently cold inside the refrigerator, allow it to run for approx. 3–5 hours (depending on the ambient temperature) before placing food in it. Do not place food in the Freezer Zone until it has reached the required coldness (at least 0°F/-18°C).

- Touch one of the two  On/Off buttons until the temperature display lights up.

The refrigerator will be switched on and the interior lighting will come on in the Fridge Zone.

The temperature display for the Fridge Zone indicates the temperature in the Fridge Zone.


- If the temperature in the Freezer Zone is above 32°F (0°C), bars will flash in the temperature display for the Freezer Zone.
- As soon as the temperature drops below 32°F (0°C), the temperature in the Freezer Zone will flash on the display.
- The  display LEDs will flash until the set temperature has been reached in the Freezer Zone.

The refrigerator will gradually reach the pre-set temperatures:

- Temperature in the Fridge Zone = 37°F (3°C)
- Temperature in the Freezer Zone = 0°F (-18°C)

# Switching on and off


## Switching off the entire appliance

- Touch the right-hand  On/Off button until all of the displays go off.

If this does not work, the safety lock is activated (see “Selecting additional settings – Activating and deactivating the safety lock”). The refrigerator section interior lighting will go out and the cooling process will be turned off.

## Turning off the refrigerator section separately


The refrigerator section can be turned off without having to turn off the freezer section. The freezer section cannot be turned off separately.

- Touch the left-hand  On/Off button until the temperature display for the refrigerator section goes off.

If this does not work, the safety lock is activated (see “Selecting additional settings – Activating and deactivating the safety lock”).


The refrigerator section will be turned off. The temperature in the freezer section will still be shown on the display. The refrigerator section interior lighting will go out.

## Turning the refrigerator section on separately (if previously turned off)

- To turn the refrigerator section on, touch the left-hand  On/Off button.

The refrigerator section will be turned on and will start to cool. It will reach the temperature set. The interior lighting will come on when the refrigerator section door is opened.

## Turning off for longer periods of time

 If you go away for a prolonged period, there is a danger of mould building up inside the appliance if you leave it switched off with the door shut without cleaning it first. It is essential to clean the appliance.

If the appliance is not going to be used for a prolonged period of time, e.g. while on vacation:

- turn the appliance off,
- unplug the appliance or flick the circuit breaker to off,
- empty the ice cube drawer,
- close the shut-off valve in the water supply line,
- clean the appliance and
- leave the door(s) ajar to air the appliance and avoid odors building up inside the appliance.

It is also advisable to carry out the last two instructions if you are switching the refrigerator section off for a longer period of time.



## The correct temperature

---

It is very important to set the correct temperature for storing food in the appliance. Bacteria will cause food which is not stored at the correct temperature to deteriorate rapidly. Temperature influences the growth rate of these bacteria. Reducing the temperature reduces their growth rate.

The temperature in the appliance will rise:

- The more often the door is opened and the longer it is kept open
- The more food that is stored in it
- The warmer the food is which is being put into it
- The higher the ambient temperature surrounding it. The appliance is designed for use within specific ambient temperatures (climate range). Do not use in ambient temperatures for which it is not designed.

### ... in the refrigerator section

We recommend a temperature of **39°F (4°C)** in the refrigerator section.

### Automatic cold air circulation (Dyna-Cool)

The fan automatically turns on when the cooling system for the refrigerator section turns on. It distributes the temperature in the refrigerator section to all areas evenly so that all the food inside will be chilled to about the same degree.

### ... in the Freezer Zone


To freeze fresh food and to store frozen food for a long time, a temperature of **0°F (-18°C)** is required. At this temperature the growth of bacteria is generally halted. As soon as the temperature rises above 14°F (-10°C), the bacteria become active in the food again so it cannot be kept as long. For this reason, partially defrosted or defrosted food must not be re-frozen. Food may be re-frozen once it has been cooked (boiled or roasted), as the high temperatures achieved when cooking destroy most bacteria.

# The correct temperature

## Temperature display

In normal operation, the upper temperature display shows the **current average refrigerator section temperature** and the lower temperature display shows the **highest freezer section temperature** currently being recorded within the machine.

Depending on the ambient temperature and the temperature setting, it can take the machine a few hours to reach the temperature required and for this temperature to then be shown as a constant temperature on the display.

 If the temperature in the freezer remains above 0°F (-18°C) for a long time, check that the frozen food has not started to defrost. If it has, use the food as soon as possible or cook it before freezing it again.

## Setting the temperature

- Use the two  $\wedge$  and  $\vee$  sensor buttons for the relevant section to set the temperature higher or lower.

The following changes will be seen on the display when the sensor buttons are touched:

- With the first touch: The **last temperature set** flashes.
- Each subsequent touch: The temperature changes in 1° increments.
- Keeping your finger on the sensor button: The temperature changes continuously.

Approximately 5 seconds after the last time a sensor button was touched, the **actual** temperature inside the appliance will automatically be displayed.

### Temperature range

- The temperature in the Fridge Zone can be set between 36°F (2°C) and 45°F (7°C).
- The temperature in the Freezer Zone can be set between 7°F (-14°C) and -15°F (-27°C).

**Tip:** If you have adjusted the temperature, **wait for approx. 6 hours if the machine is not very full and for approx. 24 hours if the machine is full** before checking the temperature display. It will take this long for an accurate reading to be given.

- If, after this time, the temperature is still too high or too low, adjust it again.

# Using Automatic SuperCool and SuperFreeze

---

The following functions are available depending on the section:

- **Refrigerator section**  
Automatic SuperCool ❄️
- **Freezer section**  
SuperFrost ❄️

## SuperFrost function ❄️

For best results, turn on the SuperFrost function before putting fresh food into the freezer. Fresh food will be frozen quickly, so that the nutritional value, vitamin content, appearance, and taste are maintained.

### Exceptions:

- Placing food in the freezer that is already frozen.
- Only freezing up to 4.4 lbs (2 kg) of fresh food daily.

SuperFrost should be turned on **6 hours before placing food in the freezer section.**

When freezing the **maximum amount of food**, SuperFrost should be turned on **24 hours beforehand.**

When SuperFrost is turned on, the machine will work at full power to lower the temperature inside.

SuperFrost turns off automatically after approx. 65 hours. The quantity of fresh food placed in the freezer will determine the duration before the SuperFrost function turns off.

**Tip:** To save energy, you can manually turn off SuperFrost once the freezer reaches a **constant** freezer section temperature of 0°F (-18°C) or colder. Monitor the temperature in the freezer section.

When the SuperFrost function is turned off, the machine will run at normal power again.

## Automatic SuperCool function ❄️

The Automatic SuperCool function can be used to rapidly reduce the temperature in the refrigerator section to its lowest setting (depending on the room temperature).

**Tip:** Automatic SuperCool is particularly recommended for the rapid chilling of large amounts of fresh food or drink.

When Automatic SuperCool is turned on, the machine will work at full power to lower the temperature inside.

It turns off automatically after approx. 12 hours.

**Tip:** To save energy, the Automatic SuperCool function can be turned off manually once food and drink is sufficiently chilled.

When the Automatic SuperCool function is turned off, the machine will run at normal power again.

# Using Automatic SuperCool and SuperFreeze

---


## Turning a function on or off

- Touch the sensor button for the function you want.
- The display LED next to the corresponding symbol will light up and the function will be turned on.
- The display LED next to the corresponding symbol will go out and the function will be turned off.

After a power failure, any function that was previously turned on will be turned off.

Your machine is equipped with a warning system to ensure that temperature increases in the freezer section do not go unnoticed and it also prevents energy from being wasted when machine doors are left open.


## Temperature alarm

An alarm will sound if the temperature in the freezer section becomes too warm. The  display LED flashes.

The audio and visual signals are triggered, for example:

- when the machine is turned on if the temperature in a temperature zone differs too significantly from the set temperature,
- if a lot of warm room air enters the freezer when food is being loaded, rearranged, or taken out,
- when freezing large amounts of food at once,
- when freezing fresh food which is still warm,
- after a power failure,
- if the machine has a fault.

The alarm will be silenced and the display will go out as soon as the reason for the alarm has been resolved.


 If the temperature in the freezer remains above 0°F (-18°C) for a long time, check that the frozen food has not started to defrost.

If it has, use the food as soon as possible or cook it before freezing it again.

## Turning the temperature alarm off early

If the alarm disturbs you, it can be turned off early.

- Touch the  sensor button.

The alarm will be silenced. The  display LED will continue to flash until the reason for the alarm has been resolved.

## Door alarm

The machine is fitted with a warning system to avoid energy being wasted and food becoming warm if the machine door is left open.

An alarm will sound if the machine door has been left open for longer than 180 seconds.

As soon as the door is closed, the alarm will be silenced and the display will go out.

## Turning the door alarm off early

If the alarm disturbs you, it can be turned off early.

- Touch the  sensor button.

The alarm will be silenced.

# Selecting additional settings

## Selecting additional settings

In Settings mode, certain settings can be adjusted and functions selected, allowing you to adjust the machine to suit your requirements.

See the following pages for more information on these settings.

The door alarm and any other alarm messages are automatically suppressed when you are in Settings mode, and no alarm will sound. Exception: If there is a machine fault (F +numbers), Settings mode will be exited automatically. The fault code will be shown on the display and an alarm will sound (see “Frequently asked questions”) – Messages on the display“).

The freezer section control panel (to the right-hand side of the display) must be used to apply the desired settings.

## Settings overview

Turning Sabbath mode on and off	S
Setting the display brightness	h
Activating and deactivating the safety lock	o
Changing the temperature unit (°F/°C)	c
For the Service department only! Ice cube maker functional test	E <sub>1</sub> 79
Changing the size of the ice cubes	E

## Sabbath mode

The appliance offers a Sabbath mode for the purposes of religious observance.

The following are turned off:

- the interior lighting when the appliance door is opened,
- all audio and visual signals,
- temperature displays,
- DynaCool, Automatic SuperCool, and SuperFrost (if previously turned on).

To activate Settings mode, the SuperFrost button can continue to be selected.

The Sabbath mode function will turn off automatically after approx. 120 hours.

## Selecting additional settings

Ensure that the appliance doors are properly closed, as audio and visual alarms are turned off.

Any power failure during this time will not be shown on the display. After a power failure, the appliance will start up in Sabbath mode.



### Danger of food contamination!

Any power failure during Sabbath mode will not be shown on the display. After a power failure, the appliance will restart in Sabbath mode. When power is restored, no notification of the power failure will appear on the display.

If there is a power failure during Sabbath mode, check the quality of the food. Do not consume any defrosted food.

### Turning Sabbath mode on and off

- Touch the ❄ SuperFrost button to the right-hand side of the display for approx. 5 seconds.

MENU lights up on the display and 5 flashes.

Settings mode has now been activated.

- Touch the ❄ SuperFrost button to access the Sabbath mode function.

Available settings:

- 50: Sabbath mode is turned off
- 51: Sabbath mode is turned on

If Sabbath mode was previously turned off, 51 will be offered.

If Sabbath mode was previously turned on, 50 will be offered.

- Touch the ❄ SuperFrost button to confirm the setting.

MENU lights up on the display and 5 flashes.

- Touch the ⏻ On/Off button to exit Settings mode.

When Sabbath mode has been activated, 5 will be lit up on the display.

- Turn off Sabbath mode after the Sabbath has passed.

# Selecting additional settings

---

## Changing the temperature unit (°F/°C)

The temperature can be displayed in either Fahrenheit (°F) or Celsius (°C).

- Touch the ❄ SuperFrost button to the right-hand side of the display for approx. 5 seconds.

MENU lights up on the display and 5 flashes.  
Settings mode has now been activated.

- Touch one of the sensor buttons for setting the temperature (^ and \) repeatedly until ° appears on the display.
- Touch the ❄ SuperFrost button to confirm the selection.

Available settings:

- °C: degrees Celsius
- °F: degrees Fahrenheit

If °C was previously set, °F will now be offered.

If °F was previously set, °C will now be offered.

- Touch the ❄ SuperFrost button to confirm the setting.

MENU lights up on the display and 6 flashes.

- Touch the ⏻ On/Off button to exit Settings mode.

The desired temperature unit will be set.

## Activating and deactivating the safety lock

The safety lock can be activated to prevent the appliance being switched off by mistake.

- Touch the ❄ SuperFrost button to the right-hand side of the display for approx. 5 seconds.

MENU lights up on the display and 5 flashes.  
Settings mode has now been activated.

- Touch one of the sensor buttons for setting the temperature (^ and \) repeatedly until c appears on the display.
- Touch the ❄ SuperFrost button to confirm the selection.

Available settings:

- cU: The safety lock is deactivated
- cI: The safety lock is activated

If the safety lock was previously deactivated, cI will be offered.

If the safety lock was previously activated, cU will be offered.

- Touch the ❄ SuperFrost button to confirm the setting.

MENU lights up on the display and c flashes.

- Touch the ⏻ On/Off button to exit Settings mode.

The 🔒 display LED lights up when the safety lock is activated.



### Changing the size of the ice cubes

The size of the ice cubes depends on the quantity of water being taken in. You are able to set this quantity according to your wishes. To make larger ice cubes, increase the amount of water being taken in by the ice cube maker.

The amount of water is set to  $E 3$  (medium) at the factory.

- Touch the ❄ SuperFrost button to the right-hand side of the display for approx. 5 seconds.

MENU lights up on the display and 5 flashes on the display. Settings mode has now been activated.

- Touch one of the sensor buttons for setting the temperature ( $\wedge$  and  $\vee$ ) repeatedly until  $E$  appears on the display.
- Touch the ❄ SuperFrost button to confirm your selection.

The most recently selected setting will appear on the display.

- The water volume set can then be altered within the range of  $E 1$  to  $E 8$  by touching one of the sensor buttons for setting the temperature ( $\wedge$  and  $\vee$ ).

Only alter the water volume setting by one level to start with and then observe the result over the next few days. If the water volume is set too high, the ice cube tray in the ice cube maker can overflow.


- Touch the ❄ SuperFrost button to confirm your selection.

MENU lights up on the display and  $E$  flashes.


- Touch the  $\odot$  On/Off button to exit Settings mode.


# Storing food in the refrigerator section

Do not load more than a maximum of 35 lb (16 kg) of food in the appliance door.

 Risk of fire from electrical appliances.

Operating electrical devices in the appliance can cause sparks to form. Do not operate any electrical devices inside the appliance.

 Risk of explosion due to flammable mixes of gases. Electrical components can cause flammable mixes of gases to ignite. Do not store any explosive materials or products containing flammable propellants (e.g., spray cans) in the appliance. The spray cans in question can be identified by the contents printed on the can or by a flame symbol. Electrical components can cause escaping gases to ignite.

 Risk of damage due to greasy or oily foods. If storing food which contains a lot of fat or oil in the appliance or the door, make sure that it does not come into contact with plastic components as this could cause stress cracks or break the plastic. Make sure that no fat or oil leaks onto the plastic parts of the appliance.

## Different storage zones

Due to natural air circulation, there are different temperature zones in the refrigerator section.

Cold, heavy air sinks to the lowest section of the refrigeration section. Make use of the different zones when placing food in the appliance.

**Tip:** To allow air to circulate efficiently, do not pack food too closely together in the refrigerator.

If there is insufficient air circulation, the cooling performance will decrease and energy consumption will increase.

Do not cover the fan in the rear wall of the appliance.

**Tip:** Do not store food in such a way that it touches the rear wall of the refrigerator section as it may freeze to the rear wall.

This appliance has DynamicCooling, which helps to keep an even temperature when the fan is running. When DynamicCooling is turned on, the difference between the various zones is less pronounced.

## Warmest area

The warmest area in the refrigerator section is in the top section of the door. Use this for storing butter so that it remains spreadable and cheese so that it retains its flavor.

# Storing food in the refrigerator section

---

## Coldest area

The coldest area in the refrigerator section is directly above the fruit and vegetable drawers and at the back.

Use these areas to store all delicate and highly perishable food, e.g.,

- fish, meat, poultry,
- cold cuts, ready-made meals,
- dishes or baked goods containing eggs or cream,
- fresh dough, cake mixtures, pizza or pie dough,
- raw milk cheese and other raw milk products,
- pre-packed vegetables and other fresh food whose best-before date requires storage at a temperature of at least 39°F (4°C).

## Food which is not suitable for storage in the refrigerator section

Not all food is suitable for refrigeration at temperatures below 41°F (5°C) because it is sensitive to cold. Depending on the type of food, the appearance, consistency, flavor, and/or vitamin content may be altered if stored at too cold a temperature.

Foods which are sensitive to cold include:

- Pineapples, avocados, bananas, pomegranates, mangoes, melons, papayas, passion fruit, citrus fruits such as lemons, oranges, mandarins, grapefruits
- Fruit (which is not yet ripe)
- Eggplants, cucumbers, potatoes, peppers, tomatoes, zucchini
- Hard cheeses (e.g., Parmesan)

# Storing food in the refrigerator section

---

## Notes on buying food

The freshness of food when first placed in the appliance is an important factor in determining how long it stays fresh, and how long it can be kept in the appliance.

Take into account the use-by date and the correct storage temperature.

Time out of the refrigerator, e.g., transporting food in a warm car, should be kept to a minimum.

**Tip:** Take a cool bag when shopping, and load food in the appliance as soon as possible.

## Storing food correctly

Ensure that food stored in the refrigerator section is **in packaging or covered properly**. This will prevent food smells from affecting other foods, food from drying out, and also any cross-contamination of bacteria. This is especially important when storing meat products.

By ensuring that the temperature settings are correct and by taking appropriate hygiene measures, you can prolong the storage life of your food considerably.

## Fruit and vegetables

Fruit and vegetables can be stored loose in the fruit and vegetable drawers.

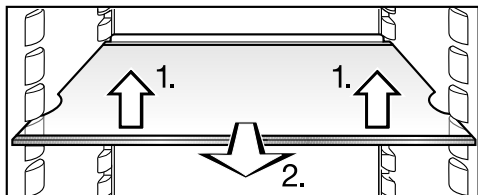
## Protein-rich food

Please note that foods rich in protein deteriorate faster than others. Shellfish, for example, deteriorates faster than fish, and fish deteriorates faster than meat.

## Adjusting the interior fittings (refrigerator section)

### Moving the adjustable shelves

The shelves can be adjusted according to the height of the food.

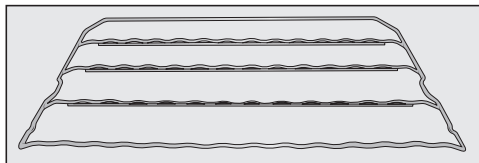


- Lift the shelf slightly at the front, pull it forward a little, lift the recess over the shelf supports, and move the shelf up or down.

The raised edge on the protective strip at the back must face upward to prevent food from touching the back of the machine and freezing to it.

Stops prevent the shelves from being dislodged by mistake.

### Adjusting the bottle rack



The bottle rack can be placed at different positions in the appliance.

- Lift the bottle rack slightly at the front, pull it forward a little, lift the recess over the shelf supports, and move the shelf up or down.

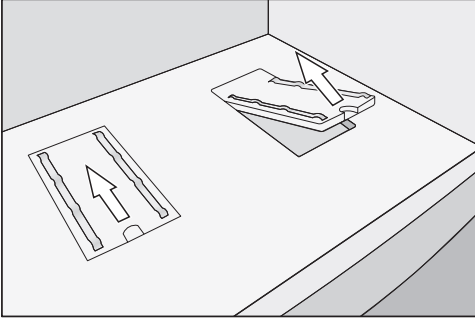
The stop bar at the back must face upward to prevent the bottles from touching the back wall.

Stops prevent the bottle rack from being dislodged by mistake.

## Adjusting the interior fittings (refrigerator section)

### Removing fruit and vegetable drawers on rollers

The fruit and vegetable drawers are on rollers and can be fully pulled out for filling and emptying.



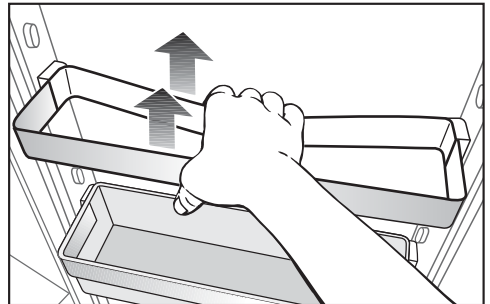
The roller plates can be removed for cleaning.

### Adjusting the door shelf/bottle shelf

**Danger of injury!**

Only move the door shelves/bottle shelves in the door when they are empty.

- Lift the clip-in container up and out of the stainless steel frame to remove.
- Push the stainless steel frame up and remove it by pulling it forward.
- Replace the stainless steel frame at the required position. Ensure that it is securely pushed back in the correct position.



- Some stainless steel frames are easier to remove and replace when you take hold of them together with the bar at the back and remove by pulling upward.
- Replace the clip-in container in the stainless steel frame.

You can remove the clip-in containers completely from the door shelves to fill and empty them, and then replace them. The clip-in containers can also be taken to the table with the food still in them and used as a serving tray.

# Adjusting the interior fittings (refrigerator section)

## Adjusting the bottle holder

The bottle holder can be moved left or right. This way you can be sure that the bottles will be more secure when the machine door is opened and closed.

The bottle holder can be removed completely, for example for cleaning.

- To do this, push the front edge of the bottle holder up and disengage it.

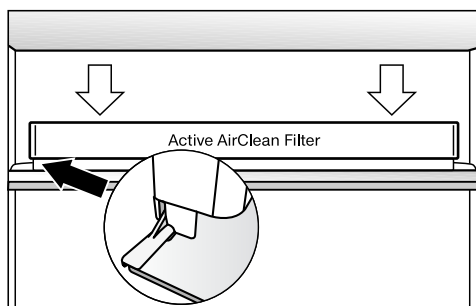
## Moving the carbon filter

**When you are storing very strong-smelling food (e.g., cheese):**

- Place the holder with the carbon filters on the adjustable shelf where this food is being kept.
- Change the carbon filters sooner if necessary.
- Use additional carbon filters (with holders) in the appliance (see “Accessories – Optional accessories”).

The holder for the carbon filters sits on the protective strip at the back of the adjustable shelf.

- Pull the carbon filter holder upward to remove it from the protective strip.




- Refit it on the protective strip of the adjustable shelf you wish to use it on.

# Freezing and storing food

---

Always observe USDA food safety guidelines.

 Risk of fire from electrical appliances.

Operating electrical devices in the appliance can cause sparks to form. Do not operate any electrical devices inside the appliance.

## Maximum freezing capacity

To ensure that fresh food placed in the freezer freezes through to the core as quickly as possible, the maximum freezing capacity must not be exceeded. The maximum freezing capacity for freezing within a 24-hour period is given on the data plate: “Freezing capacity ....lbs/24 hrs.”

## What happens when you freeze fresh food?

Fresh food should be frozen as quickly as possible so that the nutritional value of the food, its vitamin content, appearance and flavor are maintained.

Food which takes a long time to freeze will lose more water from its cells, which then shrink. During the defrosting process, only some of this water is re-absorbed by the cells. What this means in practice is that the food loses more moisture. You can see this in the large amount of water that collects around the food when it defrosts.

If food is frozen quickly, the cells have less time to lose moisture, so they shrink less. As there is not so much moisture loss, it is easier for the food to

reabsorb it during the defrosting process, and very little water collects around the defrosted food.

## Storing frozen food

Never re-freeze partially or fully defrosted food. Defrosted food may only be re-frozen after it has been cooked.

When buying frozen food to store in your freezer, make sure to check:

- that the packaging is not damaged,
- the expiration date and
- the temperature at which the frozen food is being stored in the store.

The length of time food can be kept is reduced if it has been stored at a temperature warmer than 0°F (-18°C).

- Buy frozen food at the very end of your shopping trip.
- Store it in the freezer compartment as soon as possible.



## Home freezing

Only freeze food that is fresh and in good condition.

### Tips for home freezing

- The following types of food are **suitable for home freezing**: fresh meat, poultry, game, fish, vegetables, herbs, fresh fruit, dairy products, baked goods, leftovers, egg yolks, egg whites, and a range of pre-cooked meals.
- The following types of food **are not suitable for freezing**: lettuce, radishes, sour cream, mayonnaise, whole eggs in their shells, onions, whole raw apples and pears.
- To retain color, taste, aroma, and vitamin C, vegetables should be blanched before they are frozen. To do so, place them portion by portion into boiling water for 2–3 minutes. Then, remove and plunge the vegetables into ice-cold water to cool quickly. Leave the vegetables to drain.
- Lean meat freezes better than fatty meat and can be stored for considerably longer.
- Separate chops, steaks, cutlets, etc. with a sheet of plastic freezer film. to prevent them from freezing together in a block.
- Do not season raw food or blanched vegetables with herbs or salt before freezing. Cooked food should only be lightly seasoned. The flavor of some herbs intensifies when frozen.

- Placing hot food or drink in the freezer causes food that is already frozen to partially thaw and increases energy consumption. Allow hot food and drink to cool down before placing it in the freezer.

### Packaging food for freezing

- Freeze food in portions.
  - **Suitable packaging**
    - Plastic films
    - Freezer bags
    - Aluminum foil
    - Freezer containers
  - **Unsuitable packaging**
    - Packing paper
    - Parchment paper
    - Cellophane
    - Garbage bags
    - Plastic shopping bags
  - Remove as much air as possible from the packaging before sealing.
  - Close the packaging tightly with
    - rubber bands,
    - bag clips,
    - string or bag ties, or
    - freezer tape.
- Tip:** Freezer bags and poly tubing may also be sealed using home heat sealing kits.
- Label the packaging with the contents and the date of freezing.


# Freezing and storing food

## Before placing food in the freezer

- When freezing more than 4.4 lbs (2 kg) of fresh food, turn on the SuperFrost function for some time before placing the food in the freezer (see “Using SuperFrost, Automatic SuperCool, and DynaCool – SuperFrost function”).

This helps food which is already stored in the freezer to stay frozen.

## Placing food in the freezer

 The following maximum loads must not be exceeded:

- freezer drawer = 55.1 lbs (25 kg)
- glass plate = 77.1 lbs (35 kg)

Unfrozen food should not touch frozen food, as this will cause the frozen food to begin to thaw.

- When placing items in the freezer, ensure that the packaging and containers are dry to prevent them from freezing together or to the walls of the freezer.

## – Freezing small quantities of food

Place the food in the upper freezer drawers.

- Place the food flat in the bottom of the freezer drawer so that it freezes through to the middle as quickly as possible.

## – Freezing the maximum amount of food (see data plate)

Ensure that the ventilation slots at the back of the freezer section are always free from obstruction. If the ventilation slots are obstructed, the cooling performance will decrease and energy consumption will increase.

When arranging food on the glass plate, make sure that it does not block the ventilation slots.

- Remove the upper freezer drawers.
- Place the food flat on the upper glass plates so that it freezes through to the middle as quickly as possible.
- Once the freezing process is complete, place the frozen food in the freezer drawer and push it back in.

# Freezing and storing food

## Storage time for frozen food

The storage life of food is very variable, even at a constant temperature of 0°F (-18°C). Decomposition processes also take place in frozen food, albeit at a very reduced speed. Fat can become rancid from contact with oxygen in the air, for example. This is why lean meat can be stored approx. twice as long as fatty meat.

The storage times quoted are guide values for the storage life of different food groups in the Freezer Zone.

Food group	Storage time (Months)
Ice cream	2 to 6
Bread, baked goods	2 to 6
Cheese	2 to 4
Fish, oily	1 to 2
Fish, lean	1 to 5
Sausage, ham	1 to 3
Game, pork	1 to 12
Poultry, beef	2 to 10
Vegetables, fruit	6 to 18
Herbs	6 to 10

Where the storage time given on the packaging differs, follow the advice on the packaging.

## Defrosting frozen goods

Never re-freeze partially or fully defrosted food. Defrosted food may only be re-frozen after it has been cooked.

Frozen food can be defrosted in different ways:

- In a microwave
- In an oven using “Convection” or the “Defrost” setting
- At room temperature
- In the Fridge Zone (the cold given off by the frozen food helps to keep the other food cold)
- In a steam oven

**Flat pieces of partially thawed meat or fish** can be placed directly into a hot skillet.


**Meat and poultry** (e.g., hamburgers, chicken, fish) should not come into contact with other foods while defrosting. Catch the defrosting liquid and dispose of it carefully.

**Fruit** can be thawed at room temperature, either in the packaging or in a covered bowl.

**Most vegetables** can be cooked while still frozen. Just put straight into boiling water or hot grease. The cooking time is slightly less than that of fresh vegetables due to changes in the cell structure.

# Freezing and storing food

## Cooling drinks quickly

 Risk of injury from broken glass!  
Bottles and cans of drinks, particularly carbonated drinks, can burst when frozen.  
Do not freeze any drinks in bottles or cans.

## Adjusting the interior fittings

### Removing the drawers and glass plates from the freezer section

The drawers can be removed for filling, emptying, or cleaning purposes.

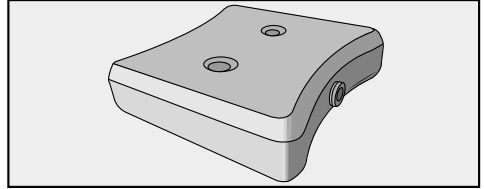
You also have the flexibility to expand the space available in the freezer section. If you wish to freeze large items, such as turkey or game, you can remove the glass plates between the freezer drawers.

- Pull out the drawers as far as they will go, and then lift them up and out.
- Lift the glass plate slightly, and then pull it forward and out.

## Using accessories

### Using the cool pack

The cool pack prevents the temperature in the freezer zone from rising too quickly in the event of a power outage. This can help prolong the storage life.



- Place the cool pack in the top drawer of the freezer zone.

The cool pack will be at its most effective after it has been in the freezer for approx. 24 hours.

### – In the event of a power outage

- Place the frozen cool pack directly on top of the frozen food in the front of the top drawer.

**Tip:** When placing fresh food in the freezer, use the cool pack to separate the fresh food from the food which is already frozen so that the frozen food does not begin to thaw.

**Tip:** The cool pack can also be used to keep food or drink cool for a short period of time in a cool box or bag.

For the automatic ice maker to operate, it must be connected to a water supply (see “Water connection”).

## CAUTION

The first three batches of ice cubes made after the ice maker is started up must not be consumed, as the water will have been used for the initial rinse through the water supply line.


This applies to the initial commissioning as well as when using the appliance again after it has been turned off for a long while.

## Turning on the ice cube maker

Only make normal domestic quantities of ice cubes with the ice cube maker.

After the initial commissioning of the machine, it can take up to 24 hours for the first ice cubes to drop out of the ice cube maker and collect in the drawer.


After the ice cube maker has been turned off and on again, this process lasts max. 6 hours.

- Check whether the non-return valve in the water supply line is open.
- Touch the  sensor button.

The  display LED will light up.

If it was not turned on before, the freezer section now turns on automatically. As soon as the water is frozen, the ice cubes drop out of the ice cube maker into the ice cube container. When a certain volume is reached, ice cube production is automatically adjusted.

Ice cubes can only be made when the ice cube drawer is completely closed.

If the ice cube maker  indicator light flashes, the ice cube maker has an insufficient supply of water. Check that the water inlet is open.

# Making ice cubes

---

## Making a large quantity of ice cubes

The amount of ice cubes made by the machine depends on the temperature in the freezer section. The lower the temperature, the more ice cubes are produced within a given time. With a set temperature of 0°F (-18°C), around 100–120 ice cubes will be produced within 24 hours.

The ice cube maker automatically stops making ice cubes when the ice cube drawer is full.

**Tip:** If you require a large quantity of ice cubes, replace the full ice cube drawer with the drawer to the right of it.

The ice cube maker will start making ice cubes again as soon as this drawer is closed.

- If you want to make the maximum amount of ice cubes (up to 150 ice cubes/24 hours), turn on the ❄ SuperFrost function beforehand. Please note, however, that this will increase the energy consumption of the machine.

## Changing the size of the ice cubes



The size of the ice cubes depends on the quantity of water being taken in. You are able to set this quantity according to your wishes. To make larger ice cubes, increase the amount of water being taken in by the ice cube maker. The amount of water is set to medium (E3) at the factory.

Instructions for how to set the water inlet time of the ice cube maker can be found in the section on “Selecting additional settings – Changing the size of the ice cubes”.

## Turning off the ice cube maker

The ice cube maker can be turned off independently of the freezer section if you do not want to make any ice cubes.

**Tip:** If the ice cube maker is turned off, the ice cube drawer can be used as an extra drawer for freezing fresh food and storing frozen food.

- Touch the  sensor button for turning the ice cube maker on and off so that the  display LED goes out.

## If the Ice Maker is going to be turned off for a long period of time






**Risk of damage!**

If the water intake is blocked while the Ice Maker is still in use, the water intake pipe can freeze up.

Turn the Ice Maker off if the water intake is interrupted (e.g., while on vacation).


- Close the non-return valve in the water supply line.

If the  display LED begins to flash, this means that there is still water remaining in the Ice Maker.

- Leave the Ice Maker turned on for another day so that the remaining ice cubes can be produced.
- As soon as the remaining ice cubes have been produced, touch the  sensor button for turning the Ice Maker on and off so that the  display LED for the Ice Maker goes out.
- Take the remaining ice cubes out of the ice cube container and dispose of them.

# Defrosting

---

 **WARNING! DANGER** of injury and damage!

Do not use any mechanical or other types of aids which are not recommended by the manufacturer to accelerate the defrosting process.

## Refrigerator section

The refrigerator defrosts automatically.

Condensate and frost can build-up on the back wall of the refrigerator when the compressor is running. There is no need to remove it. The condensate drains through a channel and drain pipe into an evaporation system at the back of the appliance and evaporates automatically with the warmth generated by the compressor.


## Freezer Zone

The appliance is equipped with a “NoFrost” system. The freezer defrosts automatically.


The moisture generated in the appliance collects on the condenser and is automatically defrosted and evaporates periodically.

This automatic defrosting system enables the freezer to remain permanently ice-free. However, the food stored in the freezer will not defrost.





 **WARNING! DANGER** of electric shock!

Unplug the appliance or trip the circuit breaker.

 **WARNING! Fire hazard!**

Do not damage the coolant pipework.

 Do not let water get into the electronic unit or the lighting.

 Steam from a steam cleaning appliance could reach the electrical components and cause a short circuit.

Do not use a steam cleaner!

Cleaning water must not get into the drain hole.

The data plate located inside the appliance must not be removed. It contains information which is required in the event of a service call.

## Cleaning agents

Cleaning and conditioning agents used inside the appliance must be food safe.

To avoid damaging the surfaces of your appliance, **do not** use

- cleaning products containing soda, ammonia, acid, or chloride,
- lime scale removers,
- abrasive cleaning products, such as scouring powder, scouring liquid, or pumice stones,
- cleaners containing solvents,
- stainless steel cleaners,
- dishwasher detergent,
- oven sprays,
- glass cleaning agents,
- hard, abrasive sponges and brushes, such as pot scrubbers,
- eraser sponges,
- sharp metal scrapers.

We recommend using a clean sponge, lukewarm water with a little liquid dish soap to clean the surfaces of the appliance.

The following pages contain important information on cleaning.

## Cleaning and care

---

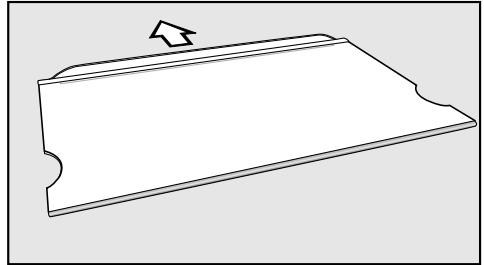
### Preparing the machine for cleaning

- Turn the machine off.
- ⏻ appears on the display and the cooling function is turned off.
- Unplug the machine or trip the fuse.
- Take any food out of the machine and store it in a cool place.
- Remove the door shelves/bottle shelves from the machine door.
- Remove the freezer drawers and glass plates.
- Take out all other removable parts for cleaning.

### Dismantling an adjustable shelf

Before cleaning the adjustable shelf, remove the white protective strip at the back of the shelf. Proceed as follows:

- Place the shelf on a worktop covered with a soft material (e.g., a tea towel).




- Then pull the protective strip off.
- After cleaning the shelf, reattach the protective strip.

## Cleaning the interior and accessories

Clean the appliance at least once a month.

Clean up any spills, stains or food immediately. Do not allow them to dry and stick to the appliance.

- Clean the **interior** with a clean sponge, lukewarm water and a little liquid dish soap.
- After cleaning, wipe with clean water and dry with a soft cloth.


 The stainless steel trim on the door shelves is not suitable for cleaning in a dishwasher.

Remove the trim from the door shelf before putting the shelf in the dishwasher.

### The following parts **cannot be cleaned in a dishwasher**:

- the stainless steel trims or strips
- the protective strips at the back of the adjustable shelves
- all drawers and drawer lids (depending on model)
- the bottle rack
- the roller plates under the fruit and vegetable drawers
- the cool pack
- Clean these accessories by hand.

### The following parts **can be cleaned in the dishwasher**:

 The maximum temperature of the dishwasher program selected must not exceed 131°F (55°C).

Contact with natural dyes from carrots, tomatoes, and ketchup, etc. may discolor the plastic parts in the dishwasher. This discoloration does not affect the stability of the parts.

- the bottle holder, butter dish, egg tray (depending on model)
- the bottle shelves and door shelves on the inside of the door (without stainless steel trim)
- the adjustable shelves (without white protective strips)
- the holder for the carbon filter (available as an optional accessory)
- Leave the door open to air the machine sufficiently for a short while and to prevent odor buildup.

# Cleaning and care

## Cleaning the machine front and the side panels

If soiling is allowed to sit for any length of time, it may become impossible to remove.

Surfaces may be discolored or altered.

It is therefore best to remove soiling from the machine front and side panels immediately.


All surfaces are easily scratched. Contact with unsuitable cleaning agents can alter or discolor the surfaces.

See the information on “Cleaning agents” at the beginning of this section.

- Clean the surfaces with a clean sponge and a solution of warm water and washing-up liquid. A clean, damp microfiber cloth without cleaning agent can also be used for cleaning.
- After cleaning, wipe with clean water and dry with a soft cloth.


## Appliance front

The appliance front has a special high-quality finish (Clean Touch Steel) which is resistant to soiling and is very easy to clean.

 **Do not use stainless steel cleaning agent** on these surfaces, as it will damage the finish.

**Do not use Miele stainless steel conditioning agent** on these surfaces. This will cause noticeable smearing.

## Cleaning the door seal

 If the door seal is damaged or has come out of the groove, the door will not close properly and this will affect cooling.

Condensation will form in the inside and this can cause a build-up of ice. Do not damage the door seal, and make sure that it does not come out of its groove.

Do not use any grease or oil on the door seal as this will cause the seal to deteriorate and become porous over time.

- The door seal should be cleaned regularly with clean water and then wiped thoroughly dry with a cloth.

### Starting up the appliance after cleaning

- Replace all shelves and accessories in the appliance.
- Reconnect to the power supply and switch the appliance back on.
- Switch on the automatic SuperFreeze function for a while so that the freezer section can cool down quickly.
- Switch on the automatic SuperCool function for a while so that the refrigerator section can cool down quickly.
- Put the food back in the appliance and close the door.
- Push the freezer drawers with the frozen food back into the freezer section and close the door.
- Switch off the automatic SuperFreeze function as soon as the temperature in the freezer section is a constant 0°F (-18°C) or colder.

### Replacing the carbon filters

Replace the carbon filters in the holder around every 6 months.

Replacement KKF-RF carbon filters can be obtained from the Miele Technical Service, from your dealer, or from Miele's website.

**Tip:** The carbon filter holder is dishwasher safe.

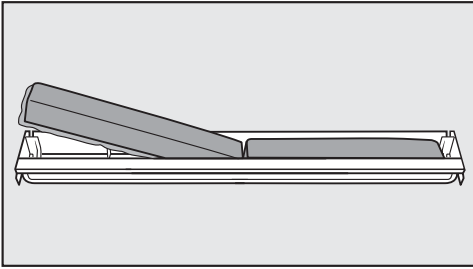
- Pull the carbon filter holder upward to remove it from the adjustable shelf.

When in position, the carbon filters must not touch the back wall of the machine, as the moisture could cause them to stick to it.

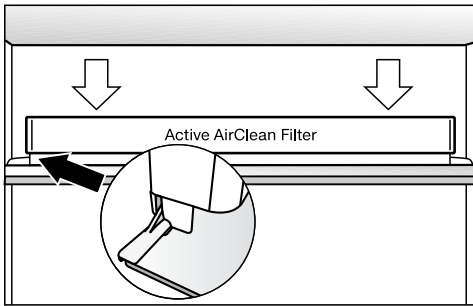
Insert the new carbon filters deep enough in the holder to ensure that they do not protrude over the edge of the holder.

## Cleaning and care

---



- Remove both carbon filters and place the new filters with the surrounding edge pointing downward in the holder.



- Place the holder in the middle of the raised edge at the back of any of the adjustable shelves, so that it clicks into position.

## Frequently Asked Questions

With the help of the following guide minor faults in the performance of the machine, some of which may result from incorrect operation, can be remedied without contacting the Service Department.

This guide may help you to find the reason for the fault, and how to correct it.

To prevent cold from escaping, open the appliance doors as little as possible until the fault has been corrected.

Problem	Possible cause and solution
<b>The machine is not getting cold and the interior lighting does not come on when the machine door is opened.</b>	The machine has not been turned on. <ul style="list-style-type: none"> <li>■ Turn the machine on.</li> </ul>
	The plug is not inserted in the socket correctly or the plug connector is not inserted into the socket at the back of the machine correctly. <ul style="list-style-type: none"> <li>■ Insert the plug into the socket and the plug connector into the machine socket.</li> </ul>
	The fuse has tripped. There could be a fault with the machine, the household electrical wiring, or another machine. <ul style="list-style-type: none"> <li>■ Contact a technician or the Service department.</li> </ul>
<b>The compressor runs continuously.</b>	Not a fault. To save energy, the compressor runs at a lower speed when less cooling is required. This increases the compressor run time.
<b>The compressor is turning on more frequently and for longer periods of time; the temperature in the machine is too low.</b>	The ventilation grille is obstructed or dusty. <ul style="list-style-type: none"> <li>■ Do not block the ventilation grille.</li> <li>■ Clean the ventilation grille on a regular basis to remove any dust.</li> </ul>
	The machine doors have been opened too frequently or a large amount of fresh food has been put in at once for storage or freezing. <ul style="list-style-type: none"> <li>■ Only open the machine doors when necessary and for as short a time as possible.</li> </ul> <p>After a while, the temperature will return to normal by itself.</p>
	The machine doors are not closed properly. A thick layer of ice may have already formed in the freezer section. <ul style="list-style-type: none"> <li>■ Close the machine doors.</li> </ul>

## Frequently Asked Questions

Problem	Possible cause and solution
	<p>After a while, the temperature will return to normal by itself.</p> <p>If a thick layer of ice has already formed, this will affect cooling and increase energy consumption.</p> <ul style="list-style-type: none"> <li>■ Defrost the machine and clean it.</li> </ul> <p>The ambient temperature is too high. The higher the ambient temperature, the longer the compressor has to run.</p> <ul style="list-style-type: none"> <li>■ See the information in the section on “Installation – Installation location”.</li> </ul> <p>The temperature setting is too low.</p> <ul style="list-style-type: none"> <li>■ Correct the temperature setting.</li> </ul> <p>A large amount of food was put in for freezing at once.</p> <ul style="list-style-type: none"> <li>■ See the information in the section on “Freezing and storing food”.</li> </ul> <p>The Automatic SuperCool function is still turned on.</p> <ul style="list-style-type: none"> <li>■ To save energy, you can turn Automatic SuperCool off early yourself.</li> </ul> <p>The SuperFrost function is still turned on.</p> <ul style="list-style-type: none"> <li>■ To save energy, you can turn SuperFrost off early yourself.</li> </ul>
<p><b>The compressor comes on less and less often and for shorter periods of time. The temperature in the appliance rises.</b></p>	<p>This is not a fault. The temperature setting is too high.</p> <ul style="list-style-type: none"> <li>■ Correct the temperature setting.</li> <li>■ Check the temperature again after 24 hours.</li> </ul> <p>The food begins to thaw.</p> <p>The room temperature is too low for this appliance. If the room temperature is too low, the compressor will run less frequently. This may cause the freezer to become too warm.</p> <ul style="list-style-type: none"> <li>■ See the “Installation location” section in the “Installation information”.</li> <li>■ Increase the room temperature.</li> </ul>




## Frequently Asked Questions

Problem	Possible cause and solution
<b>The door seal is damaged or needs to be replaced.</b>	No tools are required to change the door seal. ■ Change the door seal. A replacement is available from Technical Service.
<b>Ice or condensation has built up inside the appliance.</b>	The door seal has come out of its groove. ■ Check that the door seal is correctly positioned in the groove.
	The door seal is damaged. ■ Check whether the door seal is damaged.



# Frequently Asked Questions

---




## Messages in the display

Message	Possible cause and solution
<b>DEMO is shown on the display. The machine does not get cold, but the machine controls are working.</b>	<b>Demo mode</b> is activated. This allows the machine to be presented in the showroom without the cooling system being turned on. Do not activate this setting for domestic use. ■ Contact the Service department.
<b>The temperature display is out and 5 is shown on the display.</b>	<b>Sabbath mode</b> is turned on: The interior lighting is turned off and the machine is cooling down. ■ You can turn Sabbath mode off at any time (see “Selecting additional settings – Turning Sabbath mode on and off”).
<b>The  display LED is lit up and the machine cannot be used.</b>	The <b>safety lock</b> has been activated. ■ Completely deactivate the safety lock (see “Selecting additional settings – Activating and deactivating the safety lock”).
<b>An alarm is sounding.</b>	The <b>door alarm</b> has been activated (see “Temperature and door alarm”, section “Door alarm”). ■ Close the appliance door. The alarm will be silenced.

## Frequently Asked Questions

Message	Possible cause and solution
<p>The  display LED is lit up and an alarm is also sounding.</p>	<p>The <b>temperature alarm</b> has been activated (see also “Temperature and door alarm”). The temperature in the freezer section has risen above or fallen below the temperature set.</p> <p>This could be due to, e.g.:</p> <ul style="list-style-type: none"><li>– the freezer section door being opened too often or being left open</li><li>– a large quantity of fresh food being placed in the freezer at once without the SuperFrost function being turned on</li><li>– a power failure having occurred</li><li>– the machine having a fault</li></ul> <p>■ Rectify the cause of the alarm.</p> <p>The  display LED goes out and the alarm is silenced.</p> <p>The temperature display will stop flashing as soon as the temperature has dropped to the correct level.</p> <p>■ Depending on the temperature displayed, you should check whether food in the freezer has started to thaw or has defrosted. If it has, cook it before freezing it again.</p>

# Frequently Asked Questions

Message	Possible cause and solution
<p><b>The  display LED is lit up and an alarm is also sounding. The temperature display for the freezer section is flashing.</b></p>	<p>There is a <b>power failure</b>: The temperature in the appliance over the last few days or hours has risen too high because of a power failure or interruption to the power supply.</p> <p>The appliance will go back to the last temperature setting when the power is back on.</p> <ul style="list-style-type: none"> <li>■ Touch the  sensor button.</li> </ul> <p>The warmest temperature recorded in the freezer section will flash for about 1 minute on the temperature display for the freezer section.</p> <ul style="list-style-type: none"> <li>■ Touch the  sensor button.</li> </ul> <p>The warmest temperature displayed will disappear. The display will then revert to showing the current temperature in the freezer section.</p> <ul style="list-style-type: none"> <li>■ Depending on the temperature displayed, you should check whether food in the freezer has started to thaw or has defrosted. If it has, cook it before freezing it again.</li> </ul>
<p><b>“FD to FG” appears on the display.</b></p>	<p>There is a fault.</p> <ul style="list-style-type: none"> <li>■ Contact the Service department.</li> </ul> <p>There is a <b>machine fault</b>: This display always has immediate priority over any settings which have just been selected.</p> <p>A machine fault has priority over any current door and/or temperature alarms displayed.</p>

# Frequently Asked Questions

## Problems with the ice cube maker



Problem	Possible cause and solution
<b>You cannot turn the ice cube maker on.</b>	The appliance is not connected to the power supply or is not switched on. ■ Reconnect to the power supply and switch the appliance back on.
<b>The ice cube maker is not producing any ice cubes.</b>	The machine and/or the ice cube maker is not turned on. ■ Turn on the machine and/or the ice cube maker.
	The drawer of the ice cube maker is not closed properly. ■ Push the drawer all the way in.
	The temperature in the freezer section is too high. ■ Select a lower temperature.
	The machine door and/or freezer drawers have been opened too frequently causing the compressor to turn on more often and the ice cube maker has iced up. ■ Only open the machine door and freezer drawers when necessary and for as short a time as possible.
	The water supply line is not open. ■ Open the water inlet.
	The water line has not been vented. ■ Have a qualified professional check that the water line has been properly vented before calling the Service department.
	The water supply to the ice cube maker has been interrupted. ■ Check the water connection and the hose.
	The filter in the end of the water inlet hose or the filter in the connection at the machine is blocked. ■ Clean the filters.
	Remember it can take up to 24 hours to produce the first ice cubes after initial commissioning.

# Frequently Asked Questions

Problem	Possible cause and solution
<p><b>The ice cube maker is producing only small ice cubes.</b></p>	<p>Several household appliances connected to the fresh water supply are in operation, which has reduced the amount of water being taken in.</p> <ul style="list-style-type: none"> <li>■ Avoid using the dishwasher, washing machine, etc. at the same time.</li> </ul> <hr/> <p>The size of the ice cubes depends on the quantity of water being taken in. You are able to set this quantity according to your wishes.</p> <ul style="list-style-type: none"> <li>■ To make larger ice cubes, increase the amount of water being taken in by the ice cube maker.</li> </ul>
<p><b>The ice cubes have an unpleasant odor or flavor.</b></p>	<p>The ice cube maker is seldom used. If you do not use it very often, ice cubes that are stored for a long period can absorb the taste and smell of other items.</p> <ul style="list-style-type: none"> <li>■ Empty the ice cube container if you are not going to use the ice cube maker for a long time.</li> <li>■ Clean the ice cube container.</li> </ul> <hr/> <p>There are unsealed packages in the freezer section. Ice can absorb the taste and smell of unsealed food.</p> <ul style="list-style-type: none"> <li>■ Store only sealed food in the freezer section.</li> </ul> <hr/> <p>The ice cube container is dirty.</p> <ul style="list-style-type: none"> <li>■ Clean the ice cube container.</li> </ul>

# Frequently Asked Questions

## The interior lighting is not working.

Problem	Possible cause and solution
<b>The interior lighting is not working.</b>	<p>The machine has not been turned on.</p> <ul style="list-style-type: none"><li>■ Turn the machine on.</li></ul>
	<p><b>Sabbath mode</b> is turned on: The temperature display is out and 5 is shown on the display.</p> <ul style="list-style-type: none"><li>■ You can turn Sabbath mode off at any time (see “Selecting additional settings – Turning Sabbath mode on and off”).</li></ul>
	<p>To avoid overheating, the interior lighting turns itself off automatically after approx. 15 minutes if the machine door is left open. If this is not the case, there is a fault.</p>
	<p> <b>Danger of electric shock!</b> There are live electrical components under the lighting cover. The LED lighting may only be repaired or replaced by the Service department.</p>
	<p> <b>Danger of injury from LED lighting!</b> Light intensity corresponds to laser beam class 1/1M. The lighting covers must not be removed or damaged, or be removed due to damage. This could cause injury to your eyes. Do not look into the LED lighting (laser beam class 1/1M) with optical instruments (e.g., a magnifying glass).</p> <ul style="list-style-type: none"><li>■ Contact the Service department.</li></ul>

# Frequently Asked Questions

---

## Other problems

Problem	Possible cause and solution
<b>Food has frozen together or to the wall.</b>	The food packaging was not dry when loaded in the freezer. ■ Use a blunt instrument (such as a spoon handle) to carefully pry them apart.
<b>The external walls of the appliance feel warm.</b>	This is not a fault. The warmth created by the evaporator is used to prevent condensation.



## Causes of noises

Normal noises	Cause
<b>Brrrrr...</b>	A humming noise is made by the motor (compressor). This noise can get louder for brief periods when the motor switches on.
<b>Blub, blub...</b>	A gurgling noise can be heard when the coolant circulates through the pipes.
<b>Click...</b>	Clicking sounds occur whenever the thermostat switches the motor on or off.
<b>Sssrrrrr...</b>	You can sometimes just hear the sound of the fan inside the appliance.
<b>Crack...</b>	A cracking sound can be heard when materials expand inside the appliance.
Please bear in mind that a certain amount of noise is unavoidable (from the compressor and the coolant circulating through the system).	

Noises	Possible cause and solution
<b>Rattling, clinking</b>	The appliance is uneven. Realign the appliance using a spirit level, by raising or lowering the screw feet underneath the appliance or place something underneath it.
	The appliance is touching another appliance or piece of furniture. Move it away.
	Drawers, baskets or shelves are unstable or sticking. Check all removable items and refit them correctly.
	Bottles or containers are touching each other. Separate them.
	The transport cable clips are hanging loose at the back of the appliance. Remove the cable clips.

# Technical Service

---

## Contact in case of fault

In the event of a fault which you cannot remedy yourself, please contact your Miele dealer or Miele Technical Service.

Contact information for Miele Technical Service can be found at the end of this document.

Please quote the model and serial number of your appliance when contacting Miele. Both pieces of information can be found on the data plate.

You will find the data plate inside your appliance.

## Warranty

For more information about warranty conditions, please contact Miele Technical Service.

## Information on the fresh water connection

The machine may only be connected to the fresh water supply by qualified technicians.

Disconnect the machine from the power supply before connecting it to the fresh water supply.

Turn off the water supply before connecting the water supply line for the ice cube maker.

The water quality must comply with the requirements for drinking water in the country in which the machine is being operated.

**WARNING!** Connect to potable water supply only.

Connection to the household water supply must comply with the applicable regulations in the country in which the machine is being installed. All units and systems used to supply water to the machine must also comply with the applicable regulations in the respective country.

**The appliance is only suitable for connection to a cold water supply, which**

- is directly connected to the water supply in order to ensure a circulation of the water in the cold water line.

Avoid using a water line in which the water is allowed to pool. This can affect the taste of water and ice cubes.

- withstands the operating pressure.
- fulfills the hygiene regulations.

Water pressure on-site:

- Minimum: 21.76 psi (1.5 bar)
- Maximum: 87.02 psi (6 bar)

A shut-off valve must be provided between the water line and the water supply of the building to ensure that the water supply can be cut off if necessary.

Make sure that the shut-off valve is still accessible after the appliance has been installed.

 Risk of damage!

If the water supply is cut off while the ice cube maker is still in use the water intake pipe can freeze up.

Turn the ice cube maker off if the water supply is interrupted (e.g. while on vacation).

# Water connection

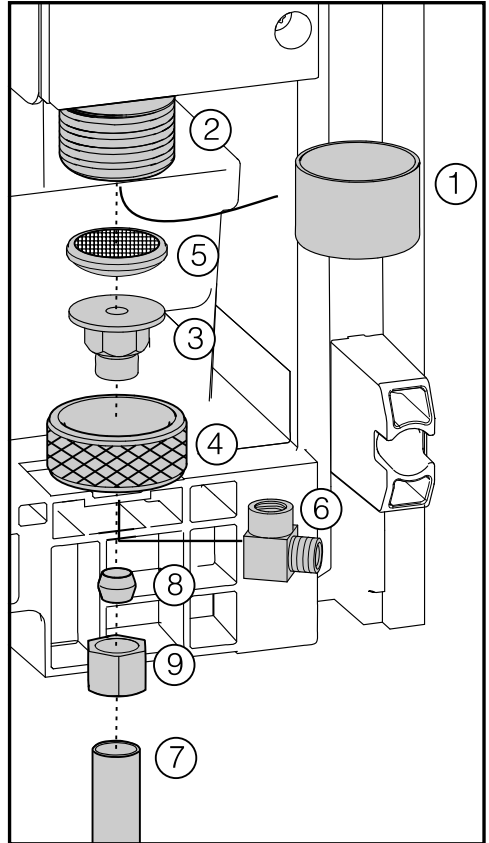
## Connecting the water supply line

Before establishing the fresh water connection, ensure that the machine is disconnected from the power supply.

Before the cold water line is used for the first time, it must be vented by a suitably qualified plumber.

The fresh water connection is at the back of the machine, at the bottom.

The connection parts included with the machine permit the connection of various water lines (water line not supplied). Do not connect old water lines that have been used before.



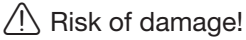
The solenoid valve ② has a 3/4" BPT connection thread.

- Remove the cap ① from the solenoid valve ②.
- Insert the adapter ③ into the union nut ④.

⚠ Risk of damage!

Do not insert the water filter the wrong way around, as this can cause damage.

- Insert the water filter ⑤ with the depression facing downward toward the adapter ③.



**Risk of damage!**

Do not overtighten the union nut, as this can cause damage.

- Connect the union nut (4) to the solenoid valve (2), and tighten it.
- If you want to divert the water line by 90°, screw on the elbow (6).

### In case of a 1/4" water line:

- Connect the water line (7) (e.g., copper) to the adapter (3) or elbow (6) using the clamping ring (8) and nut (9).

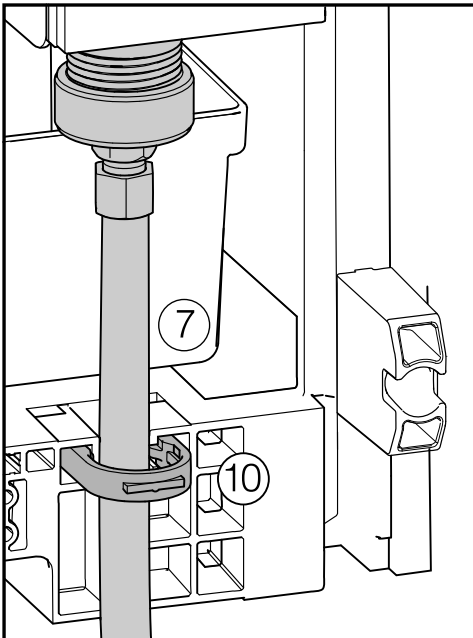
### In case of a water line with a 7/16"-24 UNS thread:

- Connect the water line (7) directly to the adapter (3) or elbow (6) (a clamping ring (8) and nut (9) are not required).

- Secure the water line (7) to the casing using the retaining clip (10).
- Slowly open the non-return valve in the water supply line and check the whole water system for leaks.
- The machine can now be connected to the power supply (see "Electrical connection").

When pushing the machine into the niche, do not bend or damage the water line.

- Push the machine into its final position.



## Electrical connection

---



**Danger of electric shock!**

The appliance must only be switched on when it has been installed in accordance with the installation instructions.

Ground the appliance.

The appliance must not be grounded via a gas pipe.

If in doubt, have a suitably qualified and experienced electrician check that the installation complies with relevant regulations.

Do not install a fuse into neutral current or grounding electrical circuit.

Do not use extension cords or ungrounded (two prong) adapters.

Do not use a frayed or damaged power cord.



**Danger of electric shock!**

For protection against electric shock this appliance is equipped with a pole-free plug which is protected against reverse polarity. The plug must be grounded in the usual way.

Do not remove the round grounding connector pin from the plug.

Use only a grounded plug adapter.

Wait for 1 hour after installation before plugging the appliance into the power supply. This allows coolant and refrigerator oil to settle in accordance with regulations.

Ensure that the voltage of the main power supply corresponds with the connection voltage of the appliance. A power supply of 110 - 120 V, 60 Hz and 15 Amp (20 Amp for side-by-side installation) with a NEMA 5-15 molded plug, which is protected by a main switch or a fuse, is required to operate the appliance.

The manufacturer recommends operating the appliance on a separate circuit to avoid overloading the electrical circuit.

All relevant legal electrical, fire and building regulations must be observed when installing the socket and/or the appliance.

In certain countries appliances are required to be connected to the electrical supply via a wall-mounted ON/OFF switch.

To avoid the risk of fire, electric shock or other injuries installation and connection of the appliance must be carried out by a suitably qualified electrician in accordance with all relevant local and national regulations and standards, including fire prevention.

The outlet must be easily accessible in an emergency so that the appliance can be quickly disconnected from the electrical supply in case of an emergency.

The socket must be located so that the upper edge is a maximum 82" (2100 mm) distance from the upper edge of the base of the kitchen cabinet.

If the outlet is no longer accessible once the appliance has been installed, an all-pole disconnect device with a contact opening of at least 1/8" (3 mm) must be present on site. The disconnect device may be circuit breaker, a fuse, or a contactor (compliant with local regulations).


The plug and power cord must not come into contact with the back of the appliance as vibrations can cause damage to these components. This, in turn, could result in a short circuit.


Do not plug in other devices behind this appliance.


Do not connect the appliance to an inverter such as those used with an autonomous energy source e.g. **solar power**. When switched on, peak loads in the system can cause the safety switch-off mechanism to be triggered. This can damage the electronic unit. The appliance must not be used with so-called **energy-saving devices** either. These reduce the amount of energy supplied to the appliance, causing it to overheat.

If the power cord needs to be replaced, this must be done by a qualified technician.

# Installation

 **Fire hazard and risk of damage!**  
Appliances which give off heat, such as toasters, mini-ovens, or double burner hobs, can catch fire.  
Do not place them on top of this appliance.

 **Fire hazard and risk of damage!**  
Do not place any open flame, such as a candle, on or next to this appliance.

 **WARNING!**  
An appliance that has not been secured may tip forward.  
Install the appliance in accordance with the installation instructions.

## Side-by-side installation

As a general rule, refrigerators and freezers should not be installed side by side with other such machines so as to avoid a build-up of condensation between them and the damage this can cause.

However, your machine can be part of a “side-by-side” installation because it is equipped with built-in heating units in the side panels.

Please contact your dealer for specific information about which combinations will work with your machine.

## Installation location

This appliance should be installed in a dry, well-ventilated room.

When deciding where to install your appliance, please bear in mind that the energy consumption will increase if installed near to a heater, a cooker, or other appliance that gives off heat. Direct sunlight should also be avoided. The higher the room temperature, the longer the compressor has to run and the higher the energy consumption is.

When installing the appliance, please note:

- The socket must be easily accessible in an emergency and not concealed behind the appliance.
- The plug and cord must not touch the back of the appliance as they could be damaged by vibrations from the appliance.
- Do not plug other appliances into sockets behind this appliance.

 **In environments with high humidity**, condensation may appear on the external surfaces of the machine. This condensate can cause corrosion on external machine panels. For prevention, it is advisable to install the machine with sufficient ventilation in a dry and/or air-conditioned room. After installation, make sure that the machine doors close properly, the air grille is not covered, and the machine has been installed in accordance with these installation instructions.




## Climate class

The appliance is designed for use within a certain climate range (ambient temperatures) and should not be used outside this range. The climate range of the appliance is stated on the data plate inside the appliance.


Climate class	Room temperature
SN	50°F to 90°F / 10°C to 32°C
N	60°F to 90°F / 16°C to 32°C
ST	60°F to 100°F / 16°C to 38°C
T	60°F to 109°F / 16°C to 43°C

Operating in a room which is too cold will cause the compressor to turn off for too long, causing the internal temperature in the appliance to rise, resulting in damage.


## Ventilation


 **WARNING! Fire hazard!**  
Operation of the machine is limited. Keep the ventilation grille free from obstruction.


Air at the back wall of the machine gets warm.

 Do not cover or obstruct the air grille to allow for effective venting. It must also be cleaned on a regular basis to remove dust.

## Installing the appliance

 Two people are required to install the appliance.

 The appliance must be empty when it is installed.

 Move the appliance carefully on floors that are sensitive to scratching to prevent damage.

For easier installation, there are transport handles on the back at the top of the appliance and transport wheels underneath.

## Wall gap

The declared energy consumption will be achieved if a wall gap of at least 2" (51 mm) is maintained between the back of the appliance and the wall. A smaller wall gap will not affect the functionality of the appliance, but it will increase energy consumption slightly.

# Installation

## Fitting the anti-tip device



### Danger of injury!

Due to the sheer size and weight of the appliance, it needs to be ensured that it cannot tip forward when the door is open and fully stocked.

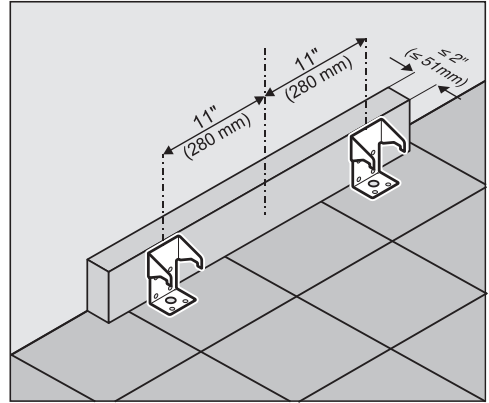
Set up the appliance with the supplied anti-tip devices as described below.



**Caution!** The water line or power supply could get damaged.

Please ensure that neither the water line nor the power supply are located in this area, as these could be damaged during installation e.g., by screws.

The screws for fastening the anti-tip device and the spacer (if required) are **not** supplied with the appliance. Fasteners must be used that are suitable for the wall and floor material (wood, concrete, etc.).



Installation with wall gap

### Installation with wall gap:

Before mounting the anti-tip devices, you must use suitable screws to fasten a spacer that is as thick as the required wall gap (up to 2" [51 mm]) to the wall.

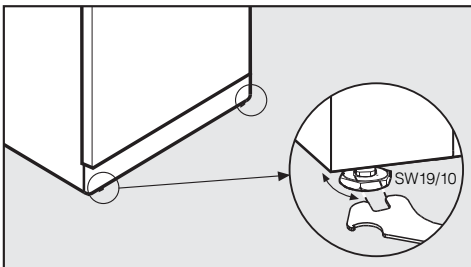
### Installation right against the wall:

**No spacer** is required. The anti-tip devices are fastened directly to the wall using the suitable screws.

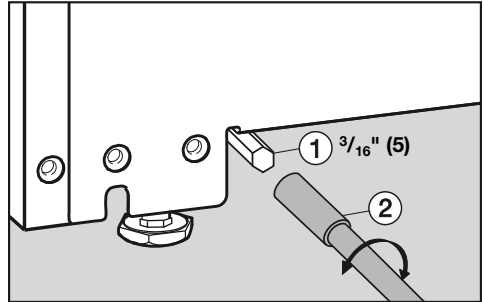
- Mark the centerline of the appliance on the wall. Align the anti-tip devices parallel to this line on the left and right.
- Then use suitable screws to fasten the anti-tip device to the spacer/directly to the wall and to the floor.

- Prepare the refrigerator for installation as close as possible to its intended installation location.
- Release the power cord from the back of the appliance.
- Remove any cord clips from the back of the appliance.
- Connect the refrigerator to the household water supply as described in the section on “Water connection”.
- Connect the refrigerator to the power supply as described in the section on “Electrical connection”.
- Move the refrigerator carefully to its intended installation location.
- Position the refrigerator with the back right against the anti-tip device.

## Aligning the machine



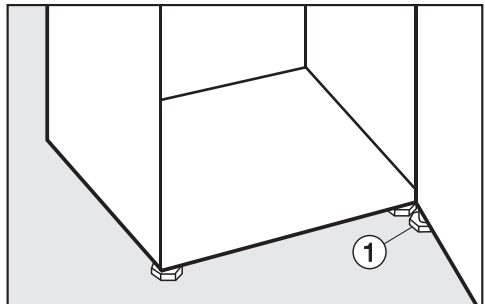
- To align the machine, adjust the front feet using the wrench supplied, ensuring it is stable and level.



If necessary, also align the appliance's rear feet using the two front adjusting devices ① (located next to the front feet).

- Using a socket wrench, turn the adjusting device ② clockwise to raise the appliance up at the back.

## Leveling the machine door



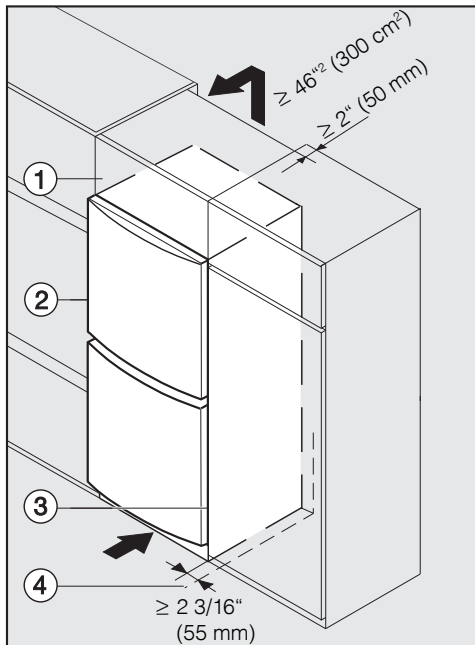
- **Ensure** that you unscrew the adjustable foot ① from the lower hinge plate until it sits on the floor. Then, unscrew the foot by an additional  $\frac{1}{4}$  turn.

# Installation

## Installing the appliance in a run of kitchen units

**⚠** If the ventilation gaps are not left unobstructed, the compressor will turn on more often and will run for longer periods.

This causes higher energy consumption and an increased compressor operating temperature, which can result in damage to the compressor. Do not block the ventilation gaps.



- ① Top box
- ② Appliance
- ③ Kitchen cabinetry housing unit
- ④ Wall

\* When the appliance is installed with the recommended wall gap of up to 2" (51 mm), the depth of the appliance increases accordingly. Please note that a spacer will be required if anti-tip devices are installed.

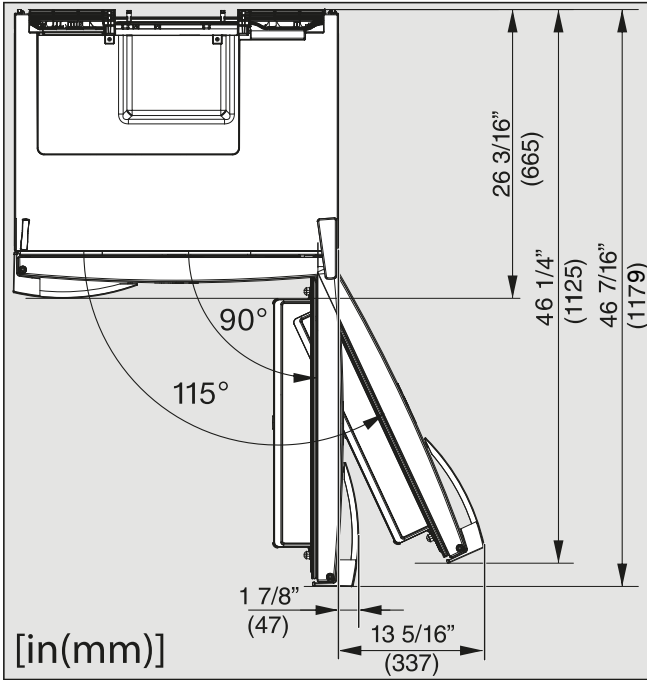
The appliance can be built into any run of kitchen units and installed directly next to a kitchen furniture housing unit. The appliance front must protrude in front of the kitchen furniture housing unit front by at least 1 5/16" (34 mm)\* at the sides and by at least 2 3/16" (55 mm)\* in the middle. This enables the appliance door to be opened and shut without being obstructed. To match the height of the kitchen units in the run, the appliance can be fitted with a suitable top box ①.

When installed next to a wall ④, a distance of at least 2 3/16" (55 mm) must be maintained on the hinge side between the wall ④ and the appliance ②.

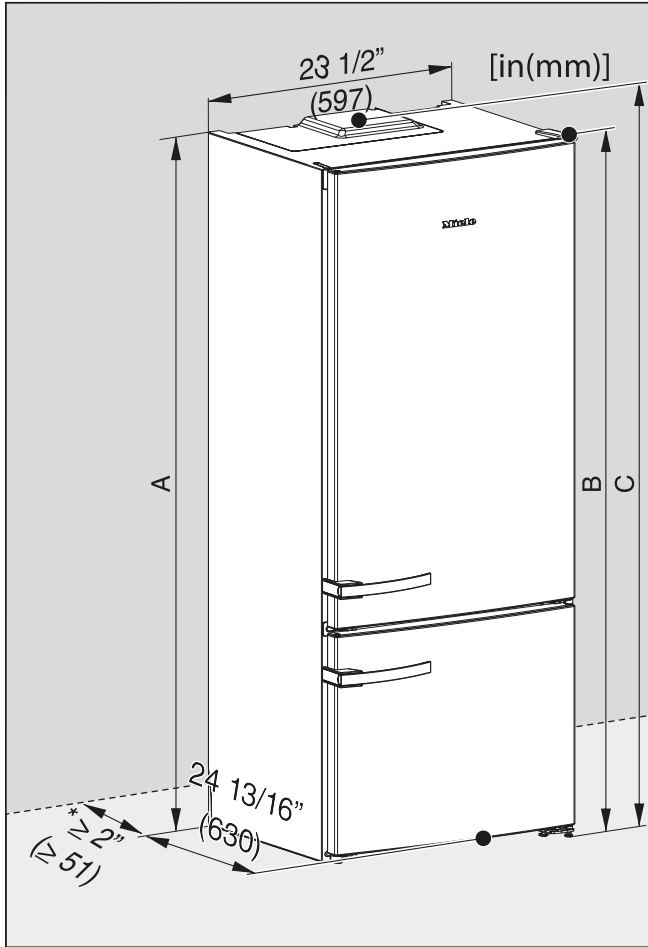
The larger the ventilation gaps, the more economically the compressor will work.

- A ventilation gap with a depth of at least 2" (50 mm) must be provided at the back of the appliance across the whole width of the top box to allow for venting.
- The ventilation gap under the ceiling must be at least 46 1/2 sq. in (300 cm<sup>2</sup>) to ensure that warm air can escape without obstruction.

## Appliance dimensions



# Installation



	<b>A</b> [in (mm)]	<b>B</b> [in (mm)]	<b>C</b> [in (mm)]
<b>KFN 13923 DE edt/cs</b>	78 3/4" (2000)	79 3/16" (2012)	79 1/2" (2020)

\* When the gap between the back of the appliance and the wall is less than 2 " (51 mm), the energy consumption will increase. Please note that a spacer will be required if anti-tip devices are installed.

# Changing the door hinges

The machine is supplied with right-hand hinging. If left-hand hinging is required, the hinges must be changed.

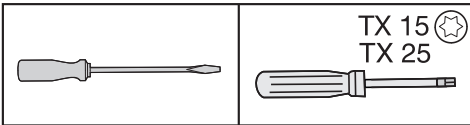
⚠ Always change the door hinging with the assistance of another person.

⚠ If the door seal is damaged, the machine door may not close properly and cooling performance will be reduced.

Condensation will form in the inside and this can cause a build-up of ice. Do not damage the door seal.

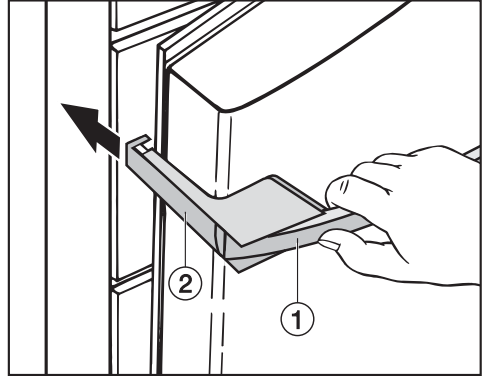
## Preparing to change the door hinging

To change the door hinging, you will need the following tools:



- Place a suitable cover on the floor in front of the machine to protect the machine doors and your floor from damage while you are changing the hinging.
- Remove the adjustable shelves/bottle shelf from the machine door.

## Removing the door handles



- When you pull the door handle ①, the sidebar ② slides back.
- Pull the sidebar ② firmly back and out of the guide.
- Now loosen the four screws (TX15) in the mounting plate and remove the handle.
- Remove the cover caps from the opposite side and fit them into the empty holes.

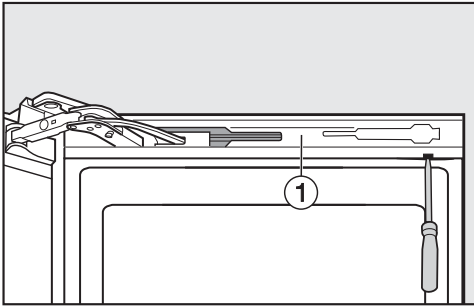
# Changing the door hinges

## Removing the upper soft-close mechanism

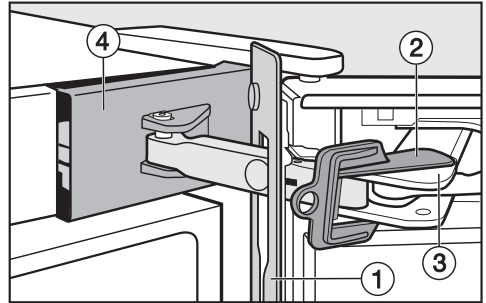
- Open the upper machine door.

⚠ If the door seal is damaged, the machine door may not close properly and cooling performance will be reduced.

Condensation will form in the inside and this can cause a build-up of ice. Do not damage the door seal.



- Loosen the panel ① from the soft-close mechanism by inserting a flat-headed screwdriver into the gaps from below and, taking care, gradually lifting the panel off.



- Push the panel ① toward the machine and leave it hanging there between the door and machine to start with.
- Place the safety device ② (supplied with the machine) on the soft-close mechanism ③ so that it engages.

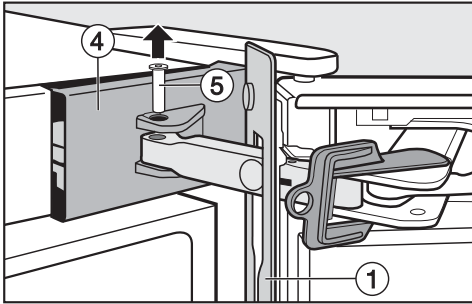
The safety device prevents the hinge from snapping shut.

Do not remove the red safety device until instructed to do so.

- Gently loosen the cover ④ from the latch by inserting a flat-headed screwdriver from above and below.



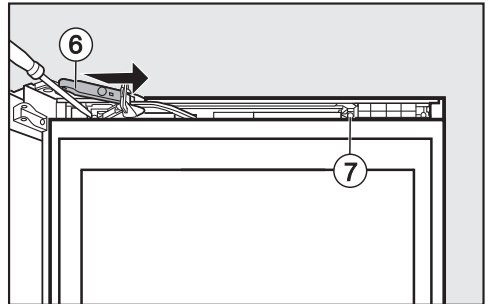
## Changing the door hinges



- Push the pin (5) up and out from below using a flat-headed screwdriver.
- Remove the cover (4).

Now the soft-close mechanism and the machine are no longer connected.

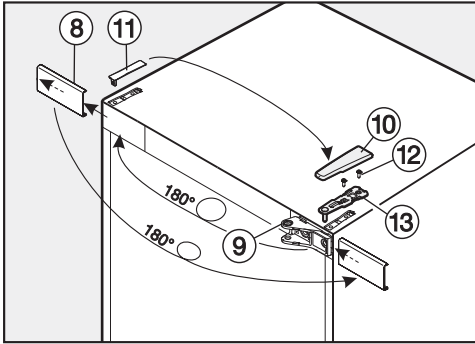
- Remove the panel (1).



- Push the soft-close mechanism bracket (6) as far as it will go toward the handle side.
- Loosen the screw (7) in the soft-close mechanism and spacer.
- Lever out the casing together with the soft-close mechanism using a flat-headed screwdriver in the middle.
- Then, lever the casing together with the soft-close mechanism out of the latch from the machine side.
- Put the soft-close mechanism to one side.
- Push the spacer toward the hinge side and out.
- Place the spacer to one side.

# Changing the door hinges

## Removing the upper appliance door



- Loosen the cover ⑧ by carefully inserting a flat-headed screwdriver into the gap from below and remove it.
- Unscrew the hinge part ⑨, turn it 180°, and fit it on the opposite side. If necessary, drill holes for the screws.
- Remove the upper cover ⑩ by sliding it forward from the back and then lifting it up and off.
- Remove the cover ⑪ by lifting it up and off.
- Close the upper appliance door.

**⚠ Danger of injury when removing the appliance door!**

As soon as the hinge plate has been removed in the following instructions, the appliance door is no longer secure.

The appliance door must be held by a second person.

- Loosen the screws ⑫ in the upper hinge plate ⑬ and pull the hinge plate up and off.

**⚠ Danger of injury when removing the upper appliance door!**

As soon as the hinge pin is located in the upper appliance door rather than in the middle hinge plate, the lower appliance door is not secure and could fall off.

Ensure that the hinge pin remains located in the middle hinge plate and in the lower appliance door.

- Carefully lift the upper appliance door up and off, and put it to one side.
- Fit the cover ⑧ on the opposite side.
- Attach the cover ⑩ on the opposite side.

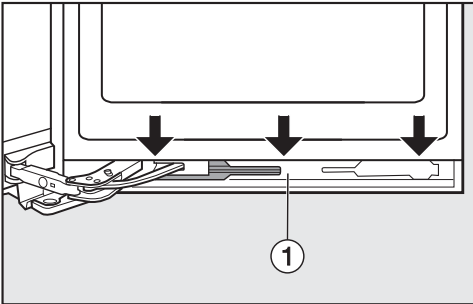
## Changing the door hinges

### Removing the lower soft-close mechanism

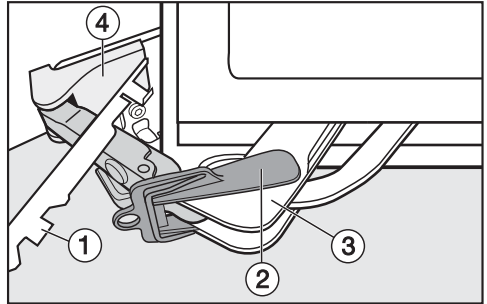
- Open the lower appliance door.

⚠ If the door seal is damaged, the appliance door may not close properly and cooling performance will be reduced.

Condensation will form in the inside and this can cause a build-up of ice. Do not damage the door seal.



- Loosen the panel ① from the soft-close mechanism by inserting a flat-headed screwdriver into the gaps from above and, taking care, gradually lifting the panel off.



- Push the panel ① toward the appliance and leave it hanging there between the door and appliance to start with.
- Place the safety device ② (supplied with the appliance) on the soft-close mechanism ③.

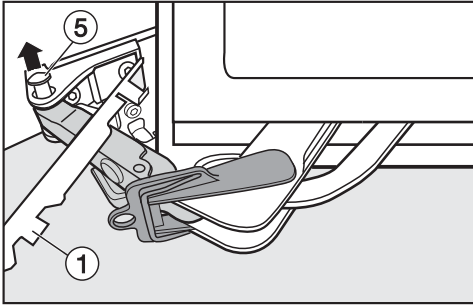
The safety device prevents the hinge from snapping shut.

Do not remove the red safety device until instructed to do so.

- Use a flat-headed screwdriver to carefully remove the cover ④ from the side.

## Changing the door hinges

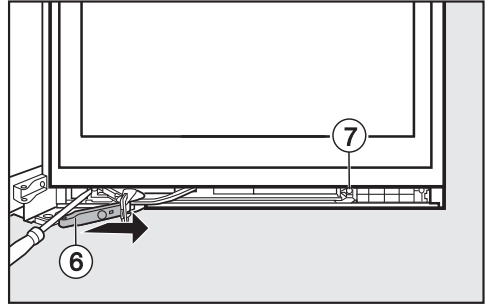
- Tip the appliance back slightly, with the help of another person if required.



- Push the pin ⑤ up and out from below.

Now the soft-close mechanism and the appliance are no longer connected.

- Remove the panel ①.



- Push the soft-close mechanism bracket ⑥ as far as it will go toward the handle side.
- Loosen the screw ⑦ in the soft-close mechanism and spacer.
- Lever out the casing together with the soft-close mechanism using a flat-headed screwdriver in the middle.
- Then, lever the casing together with the soft-close mechanism out of the latch from the appliance side.
- Put the soft-close mechanism to one side.
- Push the spacer toward the hinge side and out.
- Place the spacer to one side.

## Changing the door hinges

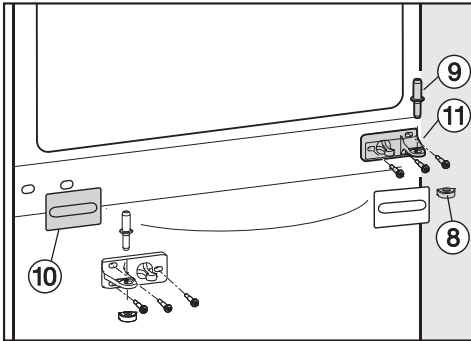
### Removing the lower appliance door

- Close the lower appliance door.

**⚠ Danger of injury when removing the lower appliance door!**

As soon as the hinge pin has been removed from the lower appliance door in the following instructions, the door is no longer secure.

The appliance door must be held by a second person.

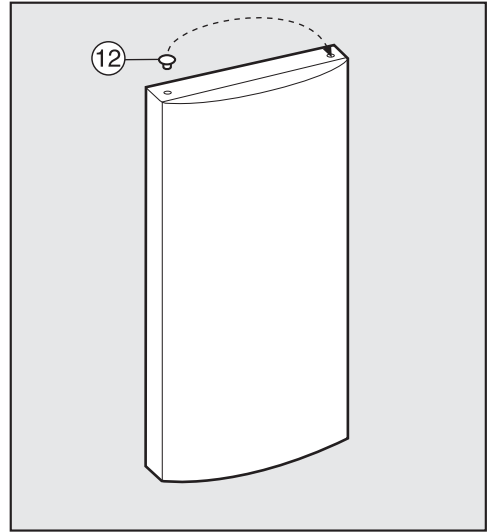


- Remove the hinge pin (9) from the middle of the appliance by pulling it up.

**Tip:** Please note that the gray plastic cover (8) on the middle hinge plate can fall off when the door is being removed.

- Carefully lift the lower appliance door up and off, and put it to one side.
- Pull the cover (10) off.
- Unscrew the hinge plate (11), turn it 180°, and screw it into place on the opposite side.
- Turn the plastic cap (8) 180° and refit it in the middle of the hinge plate (11).

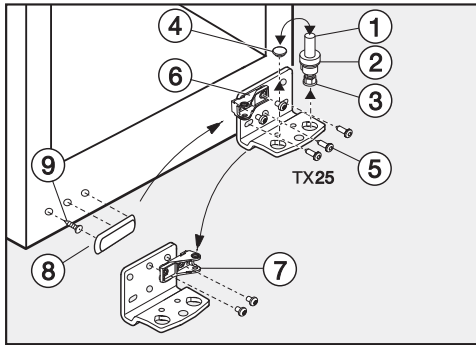
- Attach the cover (10) on the opposite side.



- Lift the plugs (12) for the two appliance doors out of the door bushing and reinsert them on the opposite side.

# Changing the door hinges

## Refitting the lower appliance door

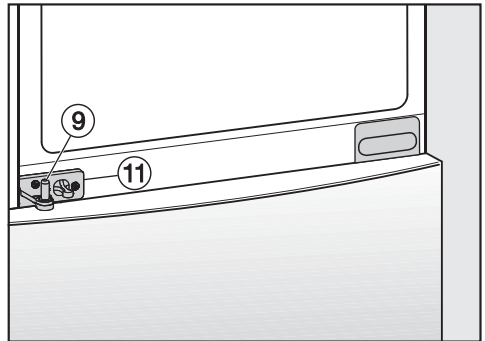


- Pull the hinge pin ① complete with washer ② and adjustable foot ③ up-ward to remove.
- Remove the plug ④.
- Undo the screws ⑤ and remove the hinge plate ⑥.
- Unscrew the hinge part ⑦ from the hinge plate ⑥, turn it 180°, and screw it into the opposite hole in the hinge plate.
- Insert the plug ④ into the other hole.
- Remove the cover ⑧.
- Remove the screw ⑨ and screw it into the outermost hole on the opposite side.
- Turn the cover ⑧ by 180° and refit it in the holes on the opposite side.
- Screw the hinge plate ⑥ into place on the opposite side, using the two outer slots only. Do not use the screw in the middle because otherwise you will not be able to align the appliance door with the outer slots later on.

- Important! Screw the adjustable foot ③ into the hinge pin ① as far as it will go.
- Reinsert the hinge pin ① complete with washer ② and adjustable foot ③.

Important! The lug on the hinge pin must point to the back again.

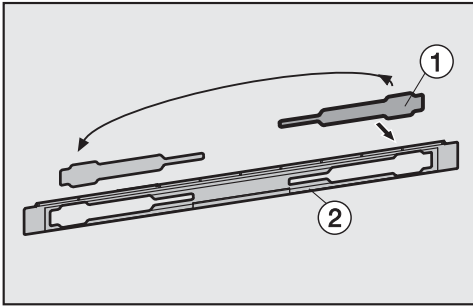
- Place the lower appliance door on the hinge pin ① from above.
- Close the lower appliance door.



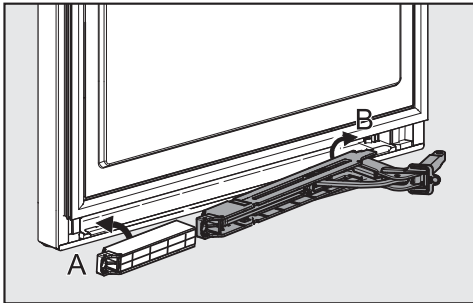
- In the middle of the appliance, insert the hinge pin ⑨ through the hinge plate ⑪ and into the lower appliance door.

## Changing the door hinges

### Inserting the lower soft-close mechanism

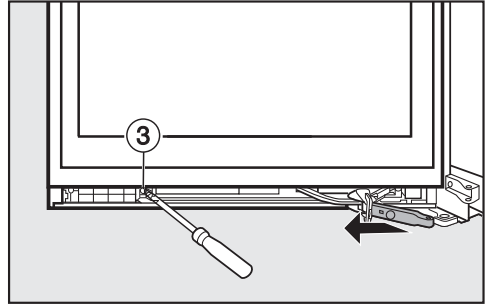


- Remove the cover ① from the panel ②, turn it 180°, and reinsert it on the other side.

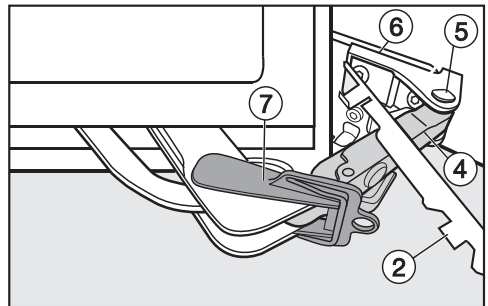


- Hook the spacer into the latch (A) on the handle side.
- Hook the soft-close mechanism into the latch (B) on the appliance side.

Push both parts out so that they are firmly engaged.



- Use the screw ③ to secure the spacer and soft-close mechanism in place.

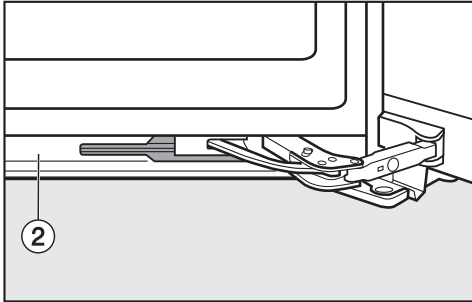


- Attach the panel ② onto the soft-close mechanism bracket ④.
- Pull the soft-close mechanism bracket ④ toward the hinge plate and insert the pin ⑤ from above so that the square sits in the depression.
- Fit the cover ⑥ back into place so that it engages.

Make sure that the cover ⑥ fits properly so that the door can be closed without hindrance and the pin is secured.

- Remove the safety device ⑦.

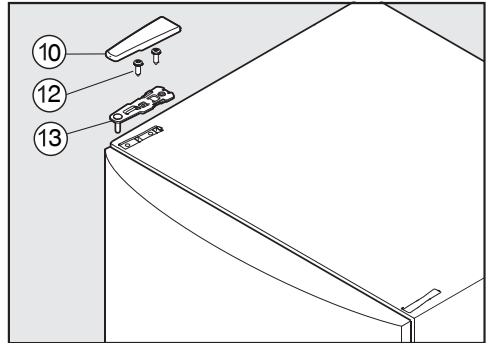
## Changing the door hinges



- Replace the panel ② onto the soft-close mechanism from above, clicking it back into place first at the bottom and then at the top.
- Close the lower appliance door.

### Refitting the upper appliance door

- Fit the upper appliance door onto the hinge pin ⑨ in the middle of the appliance.
- Close the upper appliance door.



- Fit the hinge plate ⑬ on the opposite side and secure it in place using the screws ⑫.

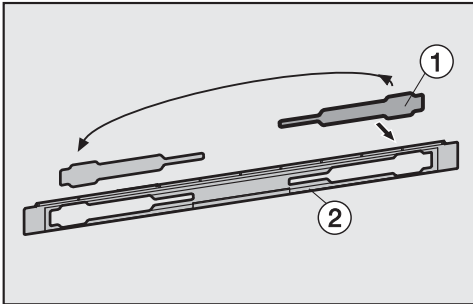
**Tip:** Drill the holes for the screws.

- Attach the cover ⑩ on the opposite side.
- Align the appliance door with the appliance casing using the slots in the lower hinge plate. Then tighten the screws.

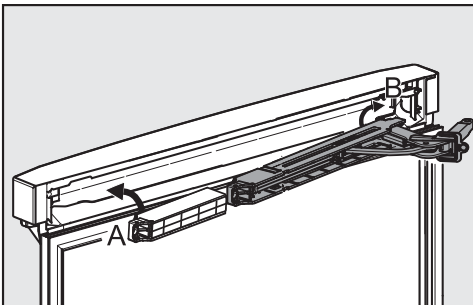


# Changing the door hinges

## Inserting the upper soft-close mechanism

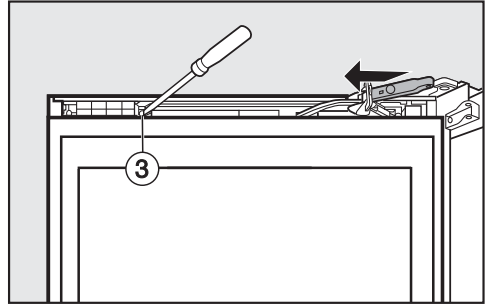


- Remove the cover ① from the panel ②, turn it 180°, and reinsert it on the other side.

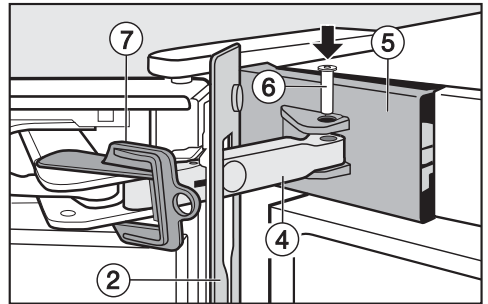


- Hook the spacer into the latch (A) on the handle side.
- Hook the soft-close mechanism into the latch (B) on the machine side.

Push both parts out so that they are firmly engaged.



- Use the screw ③ to secure the spacer and soft-close mechanism in place.

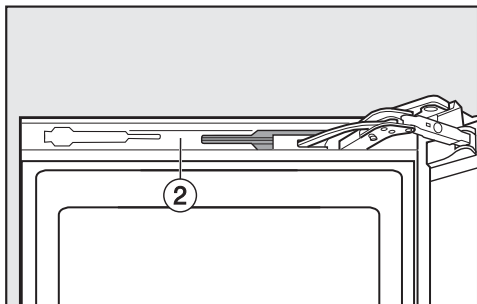


- Attach the panel ② onto the soft-close mechanism bracket ④.
- Slide the cover ⑤ on from the side so that the openings for the pin ⑥ are aligned.
- Pull the soft-close mechanism bracket ④ toward the hinge plate and insert the pin ⑥ from above so that the square sits in the depression.
- Snap the cover ⑤ completely in place.

Make sure that the cover ⑤ fits properly so that the door can be closed without hindrance and the pin is secured.

- Remove the safety device ⑦.

## Changing the door hinges



- Replace the panel ② onto the soft-close mechanism from above, clicking it back into place first at the bottom and then at the top.
- Close the upper machine door.

- Firmly tighten all 4 screws ①.
- From the appliance side, slide the sidebar ③ into the guide on the mounting plate until you hear it click into place.

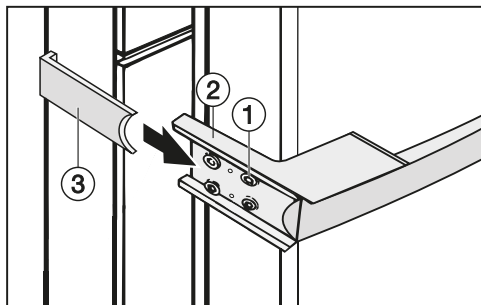
Make sure that the sidebar ③ does not come into contact with the door seal when the door is opened. This would cause permanent damage to the door seal.

## Refitting the handle

### ⚠ Risk of damage!

The door seal may be damaged if the handle is fitted incorrectly.

Please make sure you follow the instructions below carefully when you refit the handle.



- Loosely attach the door handle to the opposite side with the two front screws ① to start with.

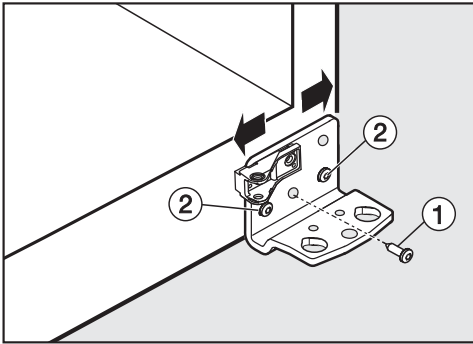
The mounting plate ② must be positioned on the door casing so that when the door is closed it is flush with the outer wall of the appliance.

## Aligning the machine doors

The machine doors can be aligned with the machine casing after they have been fitted.

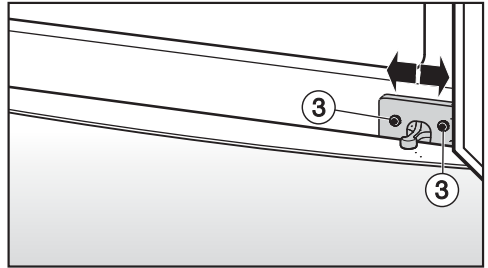
In the following illustration, the machine door is not shown in the closed position to make it easier to see what you have to do.

To align the lower machine door, use the outer slots in the lower hinge plate:



- Remove the middle screw ① from the hinge plate.
- Slightly loosen both outer screws ②.
- Align the machine door by sliding the hinge plate to the left or right.
- Then, tighten the screws ②. The screw ① does not need to be refitted.

To align the upper machine door, use the outer slots in the middle hinge plate:



- Slightly loosen both screws ③.
- Align the machine door by sliding the hinge plate to the left or right.
- Then, tighten the screws ③.







**Please have the model and serial number  
of your appliance available when  
contacting Technical Service.**

---

The Miele logo consists of the word "Miele" in a bold, white, serif font, set against a solid black rectangular background.

## **U.S.A.**

**Miele, Inc.**

### **National Headquarters**

9 Independence Way  
Princeton, NJ 08540  
Phone: 800-843-7231  
Fax: 609-419-4298  
[www.mieleusa.com](http://www.mieleusa.com)

### **Technical Service & Support**

Phone: 800-999-1360  
Fax: 888-586-8056  
[TechnicalService@mieleusa.com](mailto:TechnicalService@mieleusa.com)

### **International Headquarters**

Miele & Cie. KG  
Carl-Miele-Straße 29  
33332 Gütersloh  
Germany

## **Canada**

**Importer  
Miele Limited**

### **Headquarters and Miele Centre**

161 Four Valley Drive  
Vaughan, ON L4K 4V8  
[www.miele.ca](http://www.miele.ca)

### **Customer Care Centre**

Phone: 800-565-6435  
905-532-2272  
[customercare@miele.ca](mailto:customercare@miele.ca)

